

Daniel Goubeau  
Application Specialist

Kistler Instrumente GmbH  
Brunnhamstrasse 21, 81249 München, Germany  
Direct: +49 89 724 4854 23  
Mobile: +49 151 14217511  
Main Office: +49 89 724 4854 0  
daniel.goubeau@kistler.com  
www.kistler.com

Christoph Schäfer  
Outside Sales Representative

Kistler Instrumente GmbH  
Hatschekstrasse 5/2, 69126 Heidelberg, Germany  
Direct: +49 6221 18769 54  
Mobile: +49 170 7715998  
Main Office: +49 6221 18769 0  
christoph.schaefer@kistler.com  
www.kistler.com



- THOR Dummy**
- Integrated DTI Recorder DTI375.TH
  - DTI ready, up to 288 channels
  - Standard instrumentation included
  - Optional instrumentation according to customer requirements
  - Configuration according to NHTSA or EuroNCAP possible



- KIDAU Classic K3881C**
- 32 analog channels
  - 16 digital channels
  - Excitation up to 10V
  - Sample rate 1 to 100kHz

- KIDAU Advanced K3880C**
- Additionally to Classic
  - CAN Interface

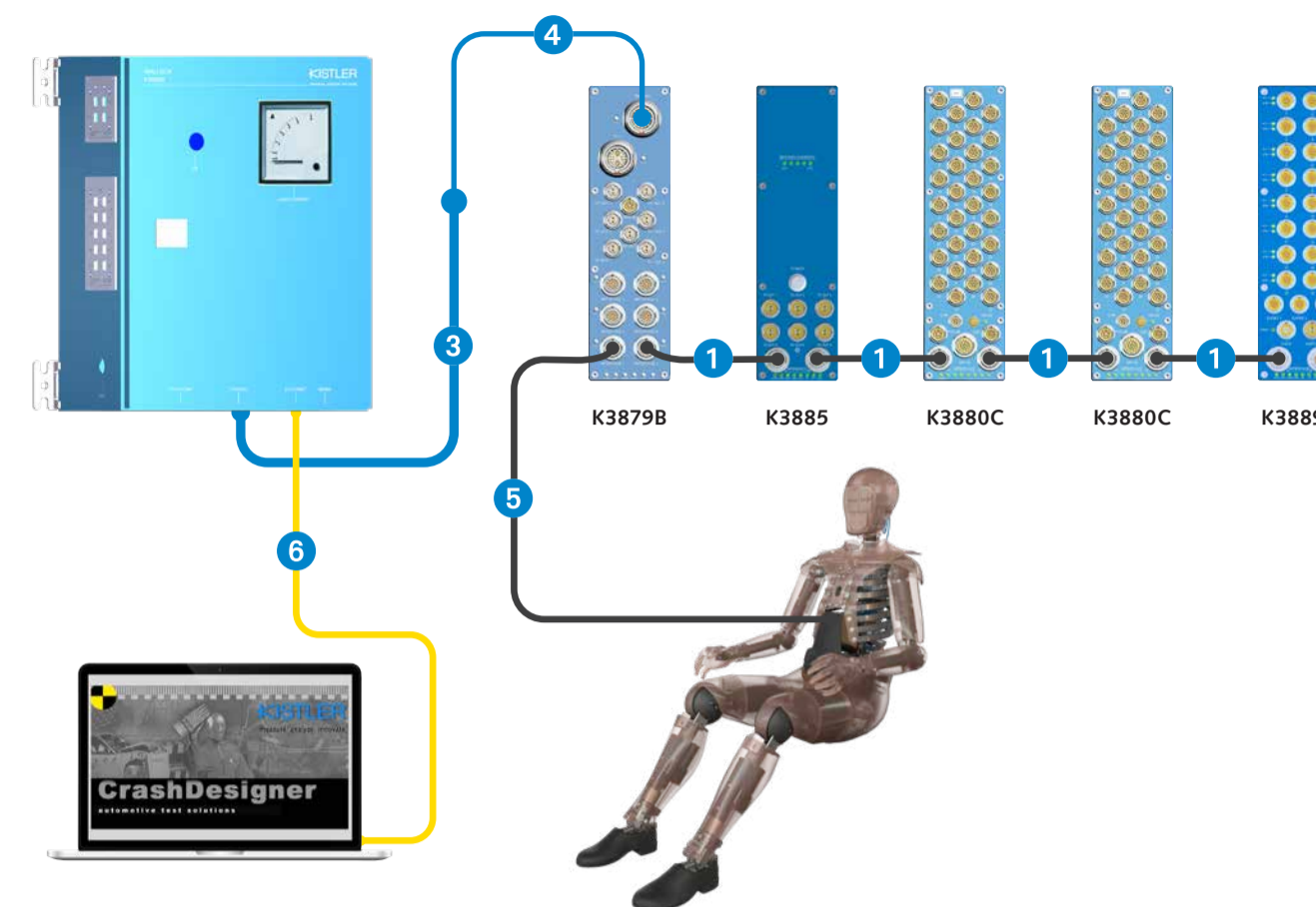


- KIHUB K3879BQ00**
- Connector for trailing cable
  - 6x CL2
  - 6x TO out
  - 1x TO/SR in
  - 1x SR out

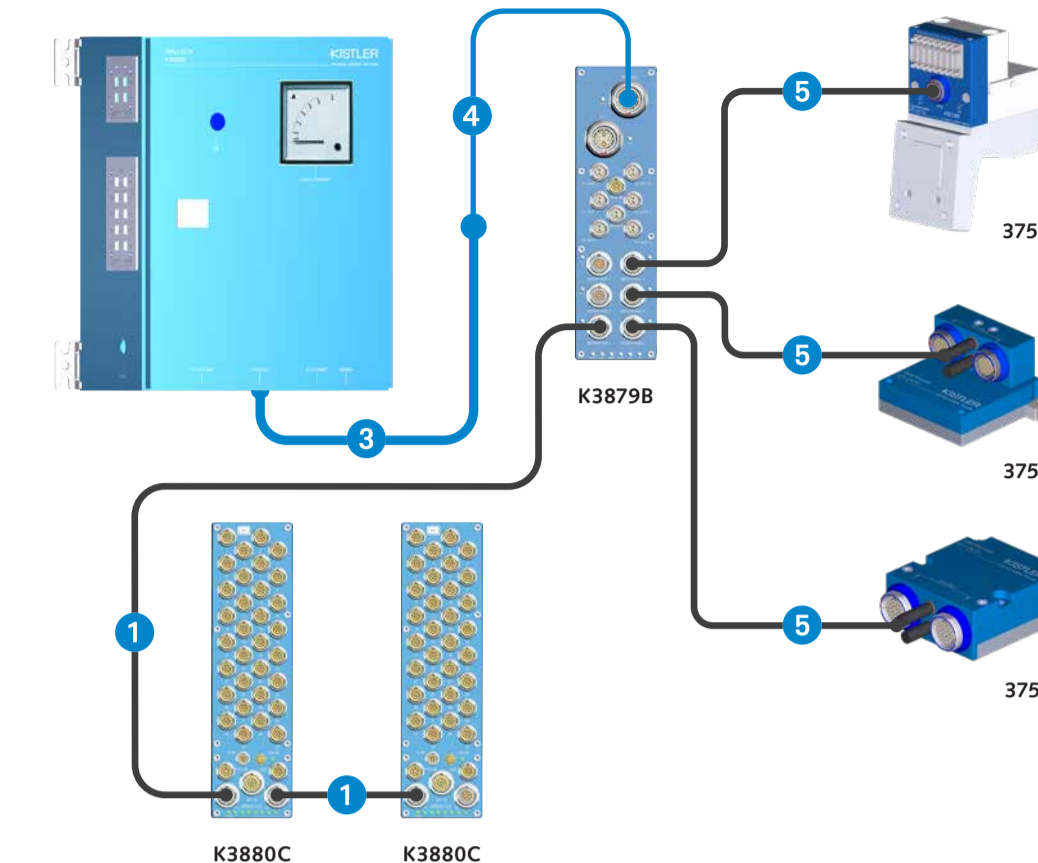
- KIHUB K3879BQ01**
- CL1 30V/100W Stepdown included

- KIHUB K3879BQ02**
- EXT 13.2V/100W Stepdown included

## CrashLink 2 Device Setup

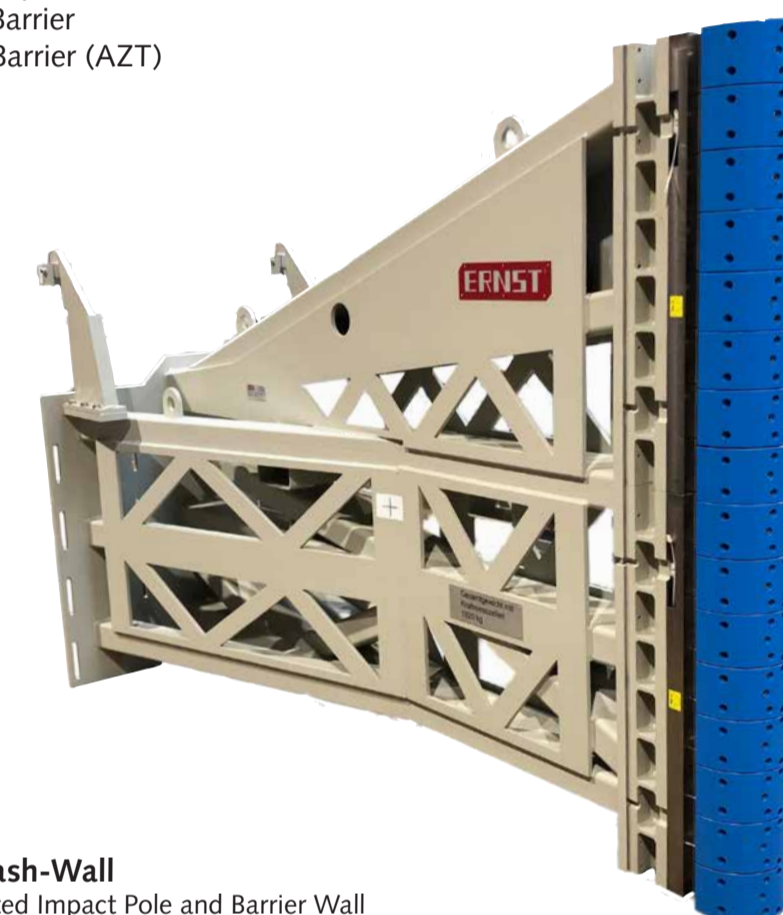


## CrashLink 2 Cables



## Barriers

- Offset frontal impact Barrier (EuroNCAP)
- Full-width frontal impact Barrier (NHTSA)
- IHS small impact Barrier
- RCAR 10 10° Test Barrier (AZT)



**Pole and Crash-Wall**  
DTI instrumented Impact Pole and Barrier Wall



**Mobile Barrier**  
6 channels via WLAN



**KIDAU with WLAN**  
Last in CL2 chain and Port B free

## Cables

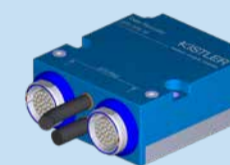
- 1 K38C0330
- 2 K38C0501
- 3 K38C0510
- 4 K38C0520
- 5 K38C0960
- 6 Ethernet



- THOR DTI375.TH**
- 24 DTI ports for 288 channels
  - Hardware SR and TO
  - Non-volatile memory for 200s
  - UPS included >5 minutes



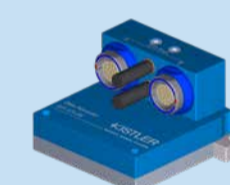
- KIBAT K3885**
- CL2 Power 400W for 10 minutes
  - 6x TO out
  - Fast charge mode



- DTI375.12**
- 12 DTI ports for 144 channels
  - Hardware SR and TO
  - Non-volatile memory for 200s
  - UPS included >5 minutes



- KITIMER 2.0 K3889B**
- 16 ignition channels with 18 or 1F socket
  - Ignition current and duration selectable
  - Ignition current, voltage and event recorded
  - Inhibit plug
  - Switch output
  - Event inputs



- DTI375.08**
- 8 DTI ports for 96 channels
  - Hardware SR and TO
  - Non-volatile memory for 200s
  - UPS included >5 minutes

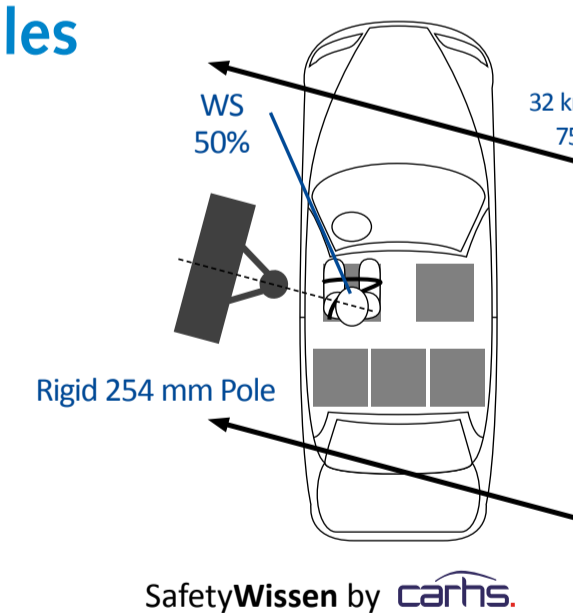


- KIWLAN K3877**
- Connect CL2 devices into WLAN network
  - 2,4 GHz or 5GHz
  - Antenna included



- CrashDesigner**
- Sensor database
  - Equipment usage history
  - Test preparation
  - Data conversion and archiving
  - Facility control

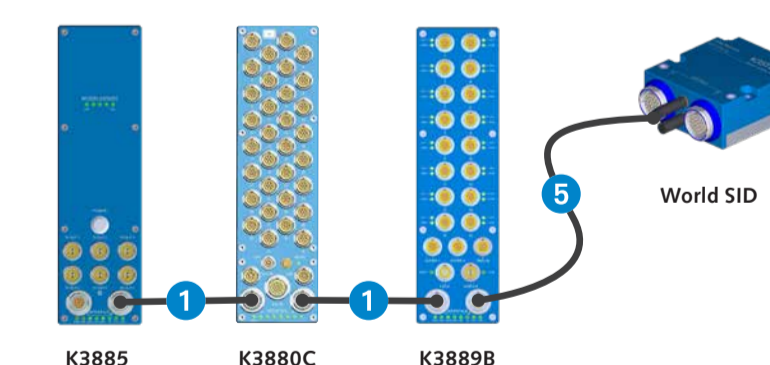
## Examples



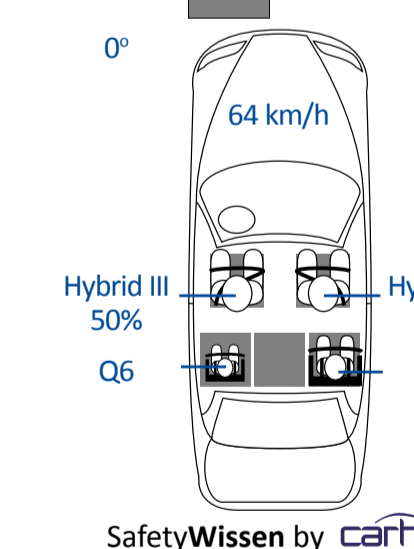
SafetyWissen by carhs.

### Pole Impact

45 channels incl. 37 WSID channels



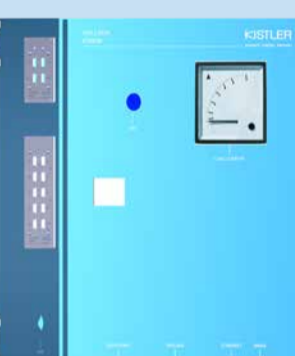
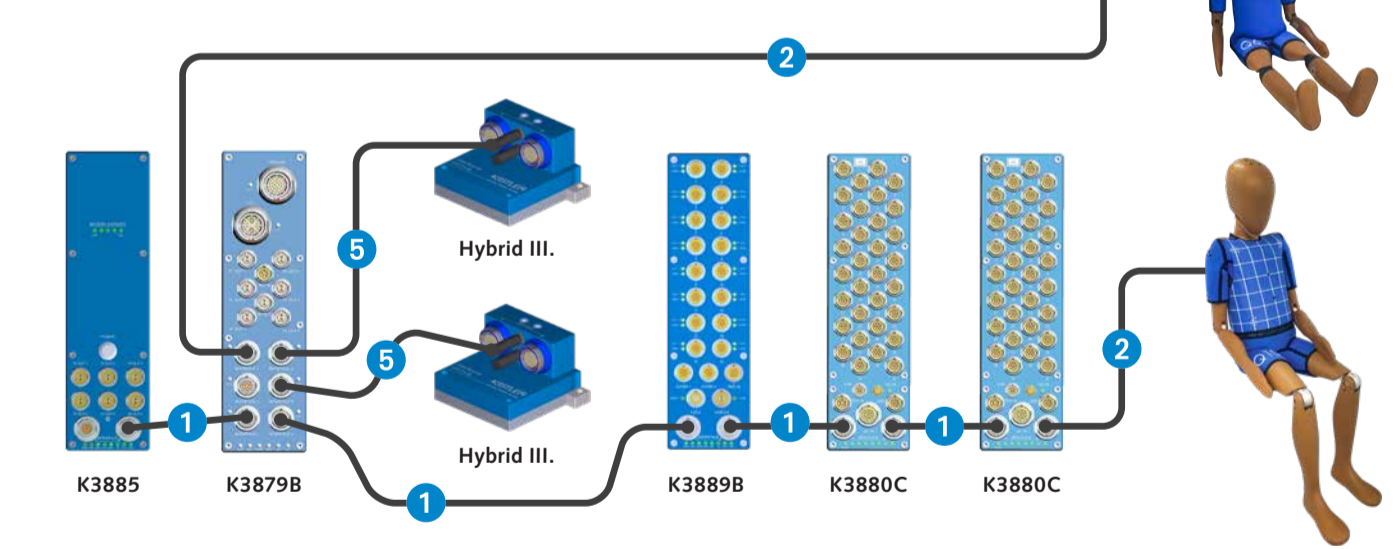
### ODB 40%



SafetyWissen by carhs.

### ODB Front Impact

249 channels incl. 171 Dummy channels



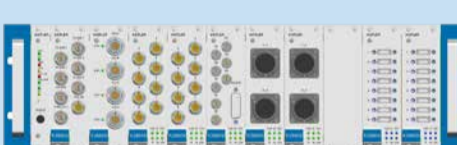
- Wallbox K3980**
- 450 W through trailing cable
  - 100Mb/s Ethernet
  - Trigger Starpoint connection
  - Optional: Trigger Interface
  - Integrated WebIO



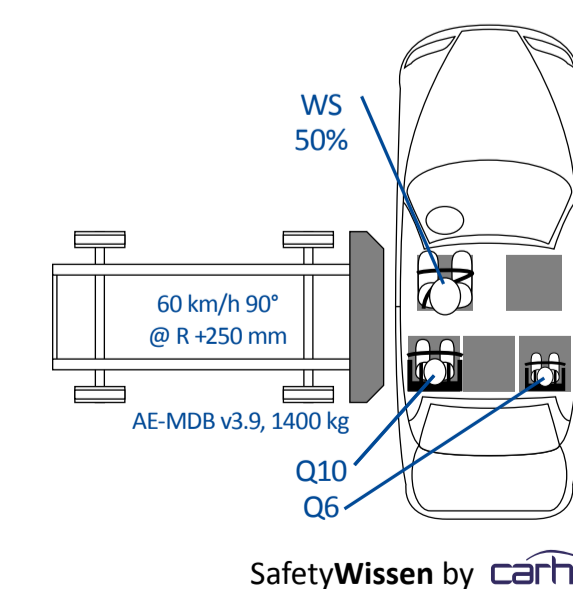
- nxt32 K3870**
- Included in each KIDAU
  - 32 analog channels
  - 16 digital channels
  - Excitation up to 5V
  - Sample rate 1 to 100kHz



- K3981B Trigger Starpoint**
- 10 or 20 Trigger channels
  - RJ45 connectors
  - RS485 sync included
  - External sync connector



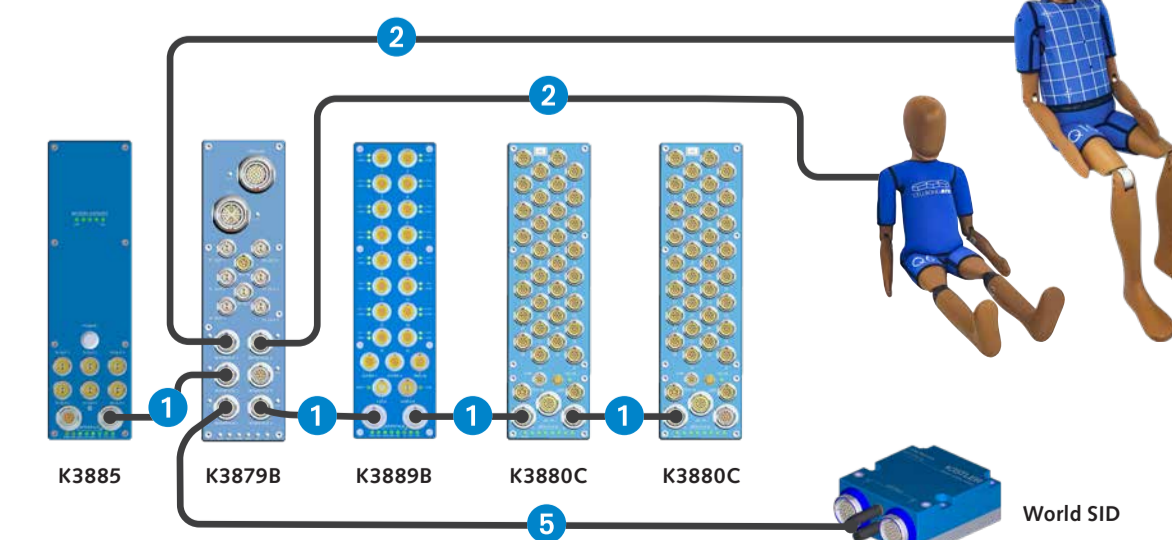
- K3800S Stationary KIDAU**
- Slots for up to 8 modules
  - Analog amplifier with 8 channels
  - Digital input module with 16 channels
  - DTI recorder with 8 ports
  - KiTimer input with 4 ignition channels



SafetyWissen by carhs.

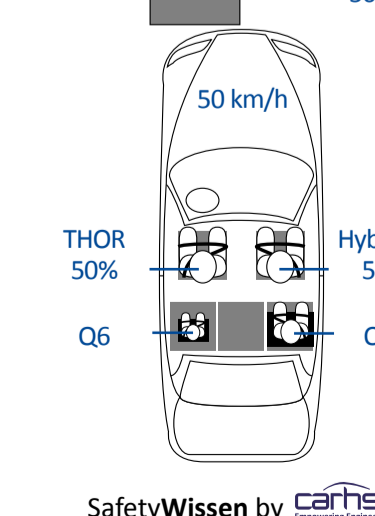
### AEMDB Impact

87 channels incl. 37 WSID channels



### MPDB/Xt-ADAC

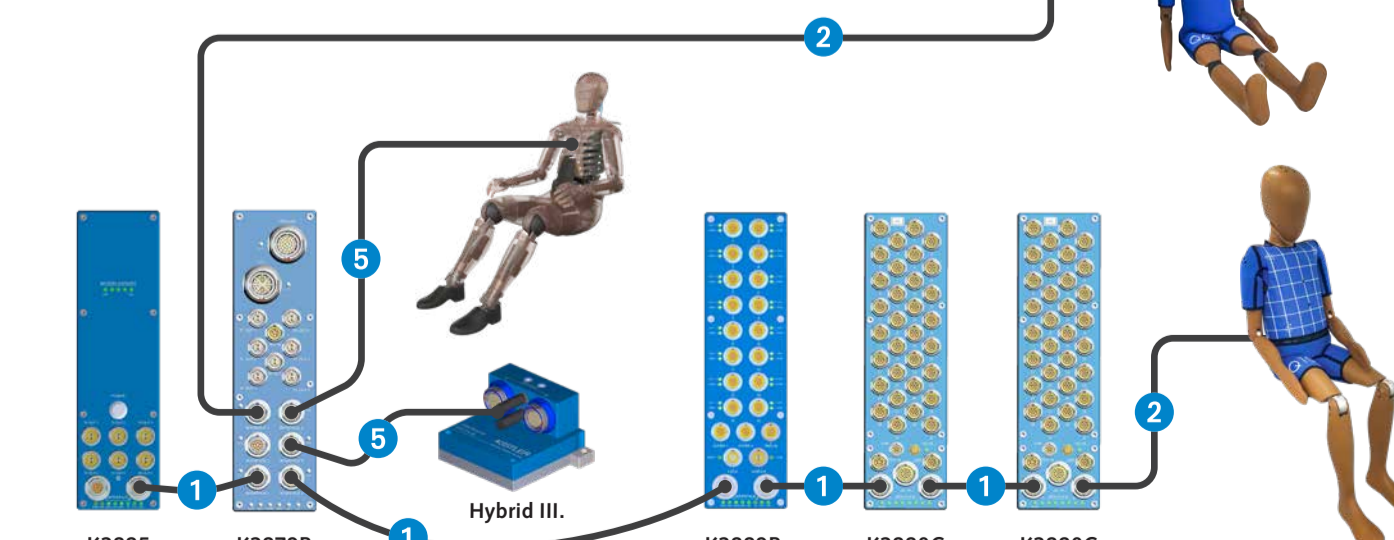
1400 kg  
0°, 50%  
50 km/h



SafetyWissen by carhs.

### MPDB Front Impact

249 channels incl. 171 Dummy channels



Device	Type	Max. power consumption	Runtime in minutes on internal battery	Supply voltage range
KIDAU Advanced	K3880C	35 W (70 W with µDAU)	20	20 ... 60 V
KIDAU Classic	K3881C	35 W	20	20 ... 60 V
KIHUB	K3879BQ00	20 W	4 or 20	20 ... 60 V
KIHUB	K3879BQ01	20 W	4 or 20	20 ... 60 V
KIHUB	K3879BQ02	20 W	4 or 20	20 ... 60 V
KITimer 2.0	K3889B	37 W	>45	20 ... 60 V
DTI375 Recorder	DTI375.08	35 W	>5	36 ... 60 V
DTI375 Recorder	DTI375.12	35 W	>5	36 ... 60 V
DTI375 Recorder	DTI375.TH	70 W	>5	36 ... 60 V
KIWLAN	K3877	10 W	>30	20 ... 60 V
KIBAT	K3885	2.7 W (Standby)	>10 with 400 W load	44 ... 60 V (to charge)