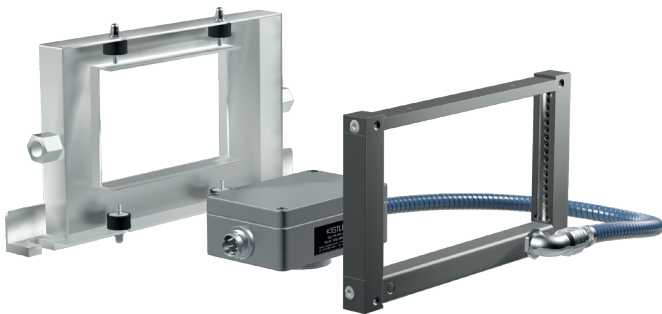


PR 15 mm series

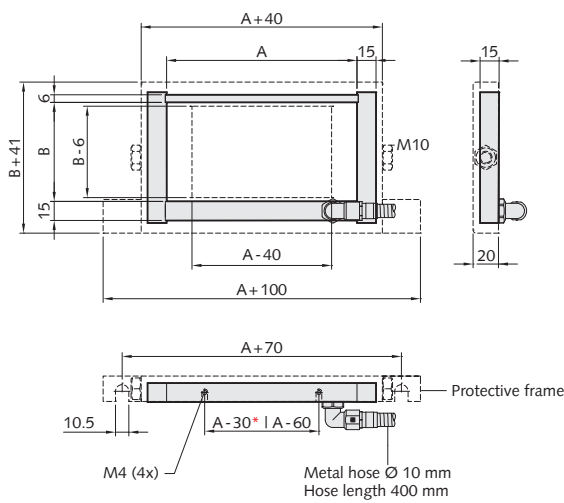
Multi-beam infrared frame light barriers with separate amplifier



measure. analyze. innovate.



The protective frame is optionally available



| | | | | | | | | |
|---------|-----|------|-----|-----|-----|-----|-----|-----|
| A [mm]: | 52* | 100* | 150 | 200 | 250 | 300 | 400 | 500 |
| B [mm]: | 54 | 66 | 78 | 96 | 126 | 150 | 192 | 300 |

Application

Ejection control
Counting of ultra small parts

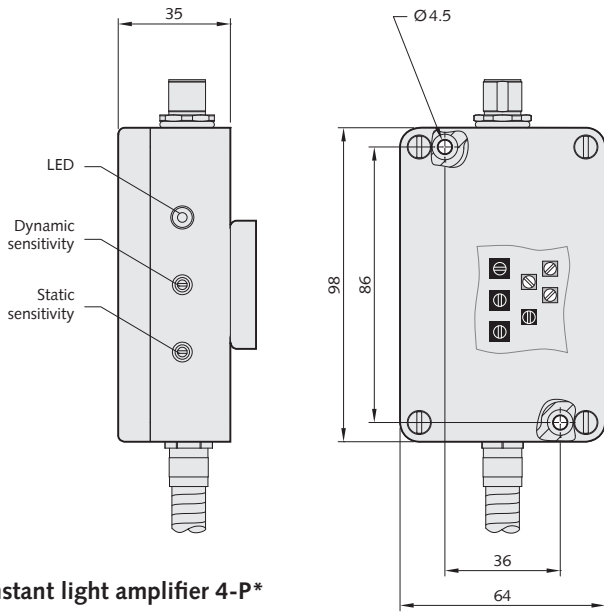
Specifications

| | |
|-----------------------------|---|
| Circuit | Constant light trigger |
| Operating voltage | 12 – 24 VDC |
| Current consumption | 60 – 300 mA, depending on type |
| Mode of operation | dynamic/static ¹⁾ |
| Sensitivity static/dynamic | adjustable by 270° pot |
| Output with LED | PNP, NPN on request |
| Function | normally open/closed |
| Load current | 200 mA short-circuit proof |
| Pulse length | 10 ms, internally adjustable (1 – 100 ms) |
| Frequency | max. 1 KHz, depending on pulse length |
| Temperature range | 0°C – 60°C |
| EMC according to 2014/30/EU | EN 61000... C€ |
| System of protection | IP 64 |

¹⁾ internal switch for dynamic/static operating mode

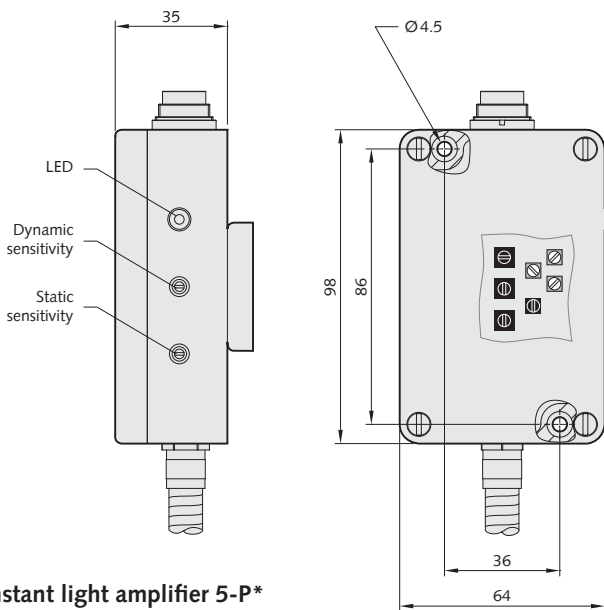
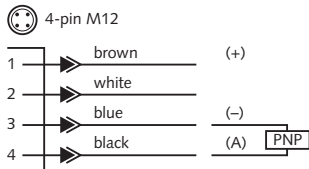
Resolution

| | | | | |
|-----------------------------|-------|--------|---------|-----|
| Light band B [mm]: | 54–78 | 96–126 | 150–192 | 300 |
| Part diameter [mm]: dynamic | 1 | 2 | 3 | 4 |
| Part diameter [mm]: static | 2 | 4 | 6 | 8 |



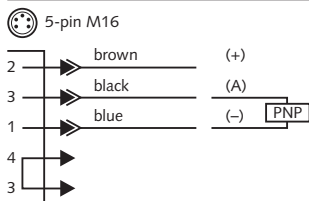
Constant light amplifier 4-P*

Pin configuration

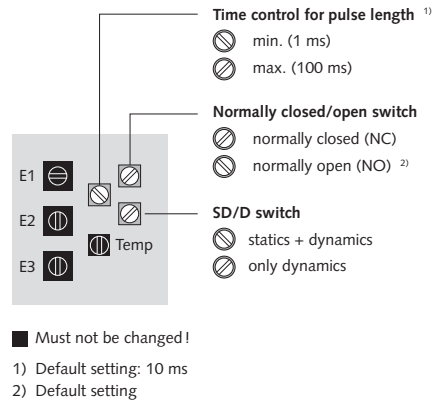


Constant light amplifier 5-P*

Pin configuration



*) With magnetic holder



Article Order No.

| Article | Order No. |
|--|-----------------|
| Frame light barrier with amplifier 4-pin plug: | |
| PR-52-54/4-P | 8200-00000-4102 |
| PR-100-66/4-P | 8201-00000-4102 |
| PR-150-78/4-P | 8202-00000-4102 |
| PR-200-96/4-P | 8203-00000-4102 |
| PR-250-126/4-P | 8204-00000-4102 |
| PR-300-150/4-P | 8205-00000-4102 |
| PR-400-192/4-P | 8206-00000-4102 |
| PR-500-300/4-P | 8207-00000-4102 |

Frame light barrier with amplifier 5-pin plug:

| | |
|----------------|-----------------|
| PR-52-54/5-P | 8200-00000-0102 |
| PR-100-66/5-P | 8201-00000-0102 |
| PR-150-78/5-P | 8202-00000-0102 |
| PR-200-96/5-P | 8203-00000-0102 |
| PR-250-126/5-P | 8204-00000-0102 |
| PR-300-150/5-P | 8205-00000-0102 |
| PR-400-192/5-P | 8206-00000-0102 |
| PR-500-300/5-P | 8207-00000-0102 |

Accessories (more accessories see last pages)

Article Order No.

| | |
|-------------------------------|-----------------|
| Connection cable M12: | |
| VK-M12-5-g (5 m, straight) | 2112-00005-0500 |
| VK-M12-5-w (5 m, angled) | 2112-00005-1500 |
| Extension cable 4-pin M12: | |
| VK-M12-g/M12 (2 m, straight) | 2112-00002-0404 |
| VK-M12-g/M12 (5 m, straight) | 2112-00005-0404 |
| Connection cable 5/6-pin M16: | |
| VK-D/F-St-A (2 m) | 2105-00002-0600 |
| VK-D/F-St-A (5 m) | 2105-00005-0600 |
| Extension cable 5/6-pin M16: | |
| VK-D/D (2 m) | 2104-00002-0606 |
| VK-D/D (5 m) | 2104-00005-0606 |
| Protective frame: | |
| SR 150-78 | 2300-00000-0410 |
| SR 200-96 | 2300-00000-0411 |
| SR 250-126 | 2300-00000-0412 |
| SR 300-150 | 2300-00000-0413 |
| SR 400-192 | 2300-00000-0414 |
| SR 500-300 | 2300-00000-0415 |

| | |
|-------------------------------|-----------------|
| Magnetic holding device MS 80 | 2300-00000-0036 |
|-------------------------------|-----------------|