

# Highly flexible connecting cable

## Drag-chain suitable, high-insulation coaxial cable

Type 1900A23A...

The Type 1900A23A... connecting cable is a low-noise and high-insulation coaxial cable for use in drag-chains. Owing to its properties, the cable is especially well suited for dynamic use.

- Low-noise and high-insulation
- KIAG 10-32 pos. or BNC pos. on amplifier side
- Protection class IP 67 with bolted plug connection
- Minimal dynamic bending radius
- Customer-specific cable lengths possible

### Description

Thanks to the special properties of the innovative coaxial cable, a life expectancy of at least 10 million bending cycles was verified in the test laboratory for versatile use in drag-chains. High abrasion resistance is thereby ensured. The KIAG 10-32 pos. connecting plug with a hexagonal swivel nut ensures IP67 protection.

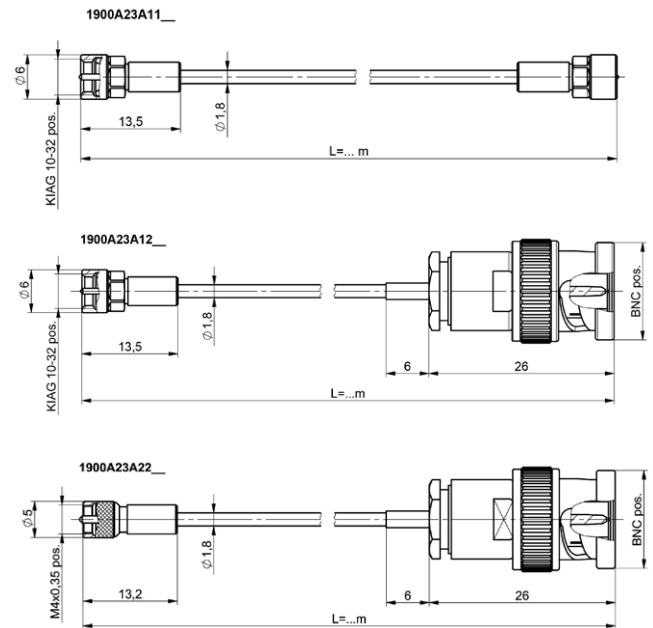
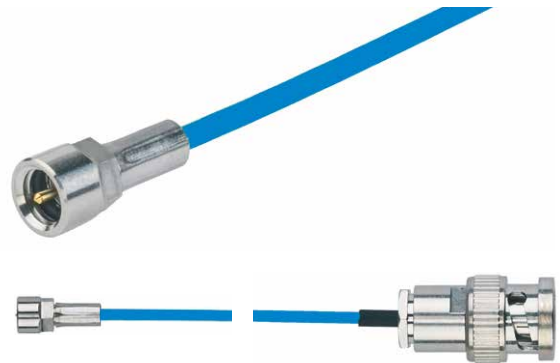
The highly flexible connecting cable is available in various designs. In addition to standard lengths, customer-specific special lengths can also be provided. On the amplifier side, connection variant KIAG 10-32 pos. or BNC pos. can be selected. On the sensor side, the connectors KIAG 10-32 pos. or M4x0.35 pos. (only in combination with BNC pos.) are available.

### Application

The highly flexible Type 1900A23A... connecting cable is ideally suited for highly dynamic applications in machine environments.

### Installation

The tightening torque of the swivel nut on the sensor connector must be 1 N m. The cable must not exert any tensile/lateral force or torque on the sensor connector. An appropriate fixture must be provided to ensure this.



### Technical data

Operating temperature	°C	-40 ... +200
Bending radius, dynamic	mm	30
Bending radius, static	mm	8
Bending cycles (drag-chain)		>10 million
Bending cycles acc. to DIN EN 50289-3-9 paragraph 5		>1,8 million

Protection class of KIAG 10-32 pos. connector, bolted, acc. to DIN EN 60529		IP67
Protection class of M4x0,35 pos. connector, acc. to DIN EN 60529		IP65
Protection class of BNC pos. connector, acc. to DIN EN 60529		IP40
Cable length, min./max.	m	>0,3 / <20

1900A23A\_003-412e-12.19

This information corresponds to the current state of knowledge. Kistler reserves the right to make technical changes. Liability for consequential damage resulting from the use of Kistler products is excluded..

**Ordering key**

Type 1900A23A

**Connector, side A (sensor)**

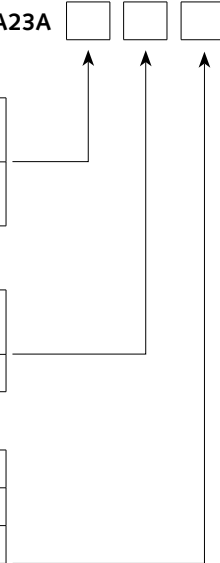
KIAG 10-32 pos. with hexagonal swivel nut	1
M4x0,35 pos. with swivel nut (only Type 1900A23A22... possible)	2

**Connector, side B**

KIAG 10-32 pos. with hexagonal swivel nut	1
BNC pos.	2

**Cable length**

1 m	01
2 m	02
3 m	03
5 m	05
10 m	10
sp (>0.3 m, <20 m)	sp



**Ordering examples**

Type	Material	Description
1900A23A11...		Drag-chain cable with two-sided KIAG 10-32 pos. connector with hexagonal swivel nut, L as specified in coding
1900A23A11sp		Drag-chain cable with two-sided KIAG 10-32 pos. connector with hexagonal swivel nut, L = specify when ordering (0.3 m < L < 20 m)
1900A23A12...		Drag-chain cable with KIAG 10-32 pos. connector with hexagonal swivel nut and BNC pos., L as specified in coding
1900A23A12sp		Drag-chain cable with KIAG 10-32 pos. connector with hexagonal swivel nut and BNC pos., L = specify when ordering (0.3 m < L < 20 m)
1900A23A22...		Drag-chain cable with M4x0.35 pos. connector and BNC pos., L as specified in coding
1900A23A22sp		Drag-chain cable with M4x0.35 pos. connector and BNC pos., L = specify when ordering (0.3 m < L < 20 m)

1900A23A\_003-412e-12.19