

IR Temperature Sensor Asphalt

Type 2639A

Infrared temperature sensor

For non-contact temperature measurement in vehicle dynamics testing.

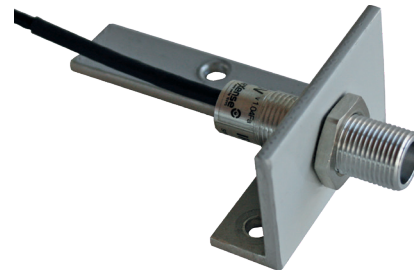
- Measurement range from $-40 \dots 100 \text{ }^{\circ}\text{C}$, calibrated to 350 mm
- Measurement frequency of 20 Hz
- Measurement accuracy 1,5 % FSO
- Built-in electronics
- Degree of protection: IP65
- Lightweight aluminum housing

Description

The infrared temperature sensor Type 2639A is applied for non-contact temperature measurements which may be typically required for tires, disk brakes, clutches, etc. It is generally delivered with a linear output signal. Due to the small dimensions this temperature sensor allows precise installation and the built-in electronics facilitates the application.

The sensor is calibrated directly to 350 mm making it ideally applicable together with Correvit S-350 and S-Motion sensors. It has an improved resolution and is well suited for track surface temperature measurements.

Mounting equipment, cable, etc. included in the scope of delivery.



Technical data

Performance Specifications

Measurement range	$^{\circ}\text{C}$	$-40 \dots 100$
Measurement distance	mm	350
Measurement accuracy	%FSO	1,5
Measurement frequency	Hz	20
Response time	ms	50

Signal outputs

Analog (linear)	V	0 ... 3 (or 0 ... 5)
-----------------	---	----------------------

System specifications

Power supply	V	5,5 ... 16
Power consumption	mA	3
IR wave length	μm	5,5 ... 14
Field of view (90 % radiation)	$^{\circ}$	20
Emissivity	%	95
Temperature range		
Operation	$^{\circ}\text{C}$	$-40 \dots 85$
Storage	$^{\circ}\text{C}$	$-40 \dots 125$
Degree of protection		IP65
Dimensions	mm	M12x40
Weight (without cable)	grams	15

2639A_003-247e-04_18

Kistler Group products are protected by several intellectual property rights patents. For more details see: www.kistler.com

This information corresponds to the current state of knowledge. Kistler reserves the right to make technical changes. Liability for consequential damage resulting from the use of Kistler products is excluded.

©2018, Kistler Group, Eulachstrasse 22, 8408 Winterthur, Switzerland
Tel. +41 52 224 11 11, Fax +41 52 224 14 14, info@kistler.com, www.kistler.com
Kistler is a registered trademark of Kistler Holding AG.

Dimensions

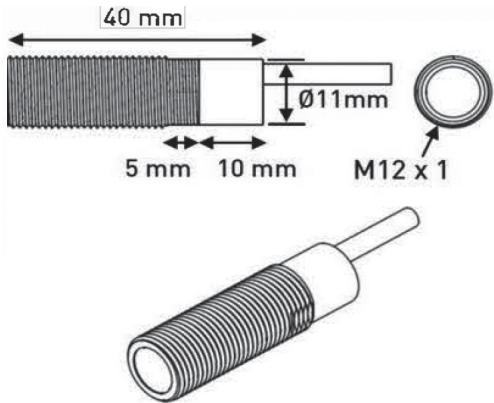


Fig. 1: Dimensions of the IR Temperature Sensor Asphalt

Connection

1 m cable of 4x26AWG FEP tinned copper braided cable
250 V, 200 °C

Color	Function
Red	Supply
Black	0 V
White	Analog signal
Green	Do not connect

Ordering code

- IR Temperature Sensor Asphalt

Type 2639A

Mounting



Fig. 2: IR Temperature Sensor Asphalt,
mounted on a Correvit S-350 Sensor

2639A_003-247e-04_18