

# Connecting Cable

Type 1652A...

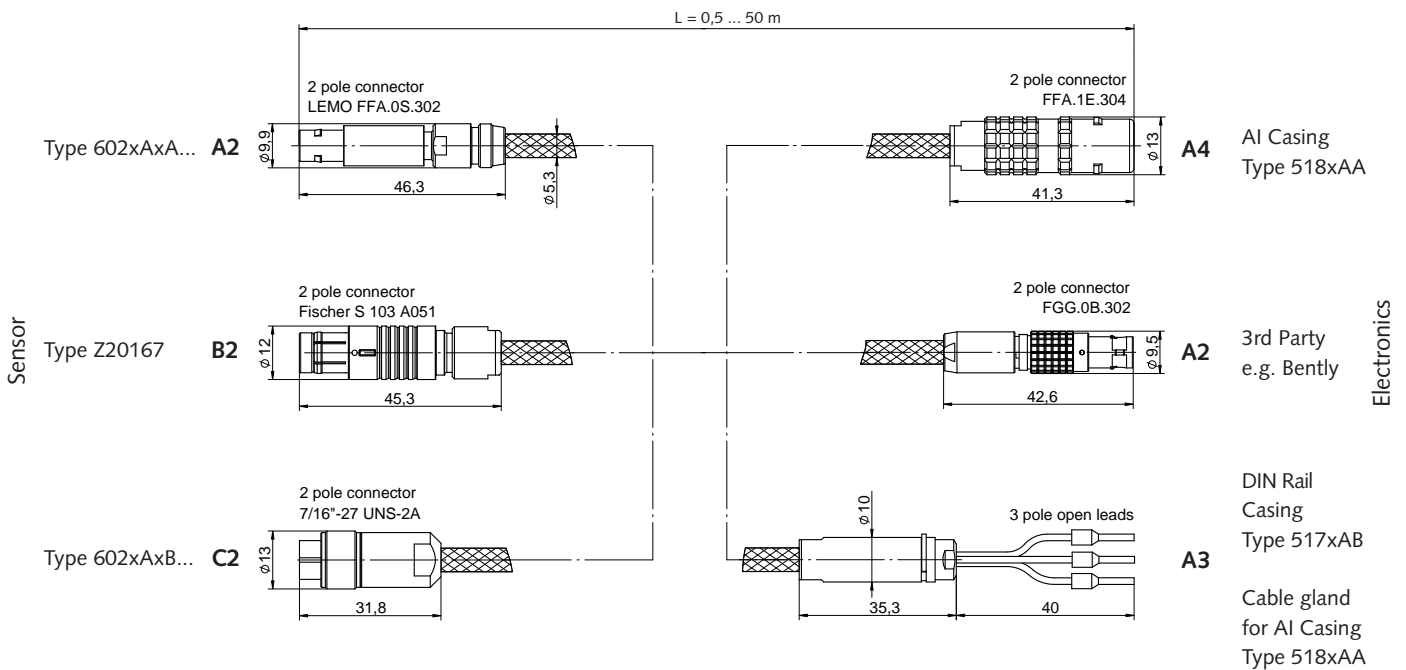
High Impedance, Two-wire, Low Noise



## Available Configurations

### Compatibility

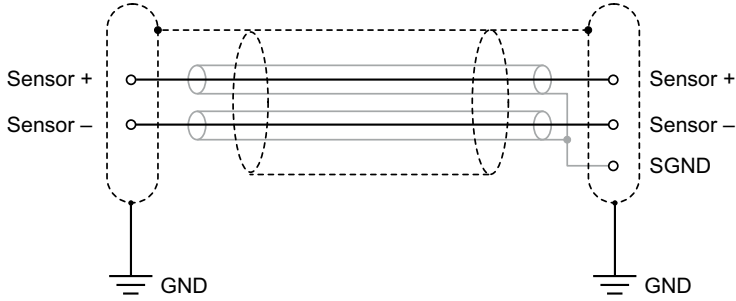
### Compatibility



1652\_003-195e-01.16

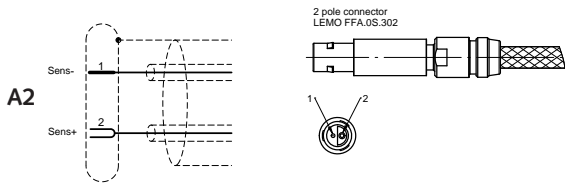
**Electrical**

Two-wire

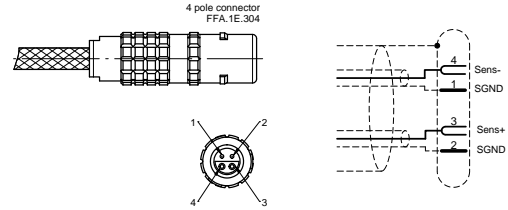


Electrical connection

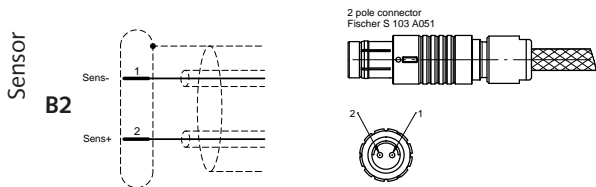
Operating temperature range -55 ... 180 °C  
IP50



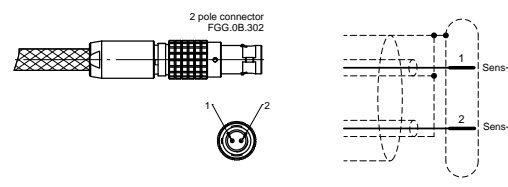
Operating temperature range -55 ... 180 °C  
IP66



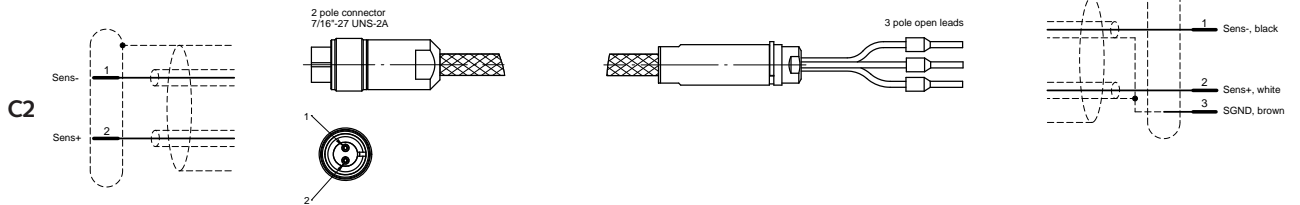
Operating temperature range -55 ... 180 °C  
IP66



Operating temperature range -55 ... 180 °C  
IP50



Operating temperature range -55 ... 180 °C  
IP50

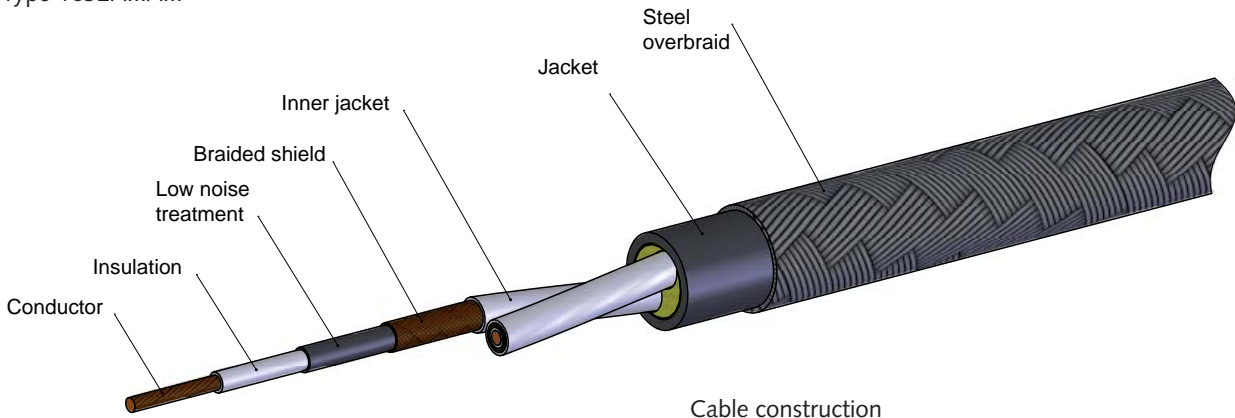


Electronics

1652\_003-195e-01.16

**Two Wire Cable**

Type 1652A...A...



**Cable construction**

- Steel overbraid for mechanical protection
- individually shielded wires
- Low noise treatment

**Technical Data**

**Environmental**

Operating temperature range	°C	-55 ... 200
-----------------------------	----	-------------

**Physical**

Cable construction		Steel overbraid, low noise, twisted pair
Capacity Pin – Shield	pF/m	285
Bending radius (min.)		
fix installation	mm	25
free installation	mm	70

**Ordering Key**

Type 1652A   A

**Termination on Sensor Side**

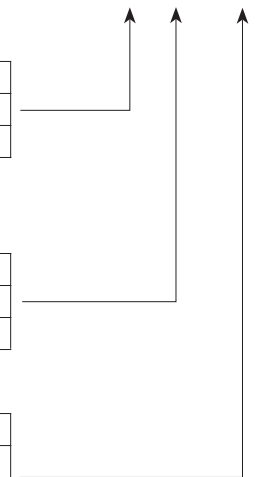
LEMO FFA.02.302, 2 pin	A2
Fischer S 103 A051, 2 pin	B2
7/16"-27 UNS-2A, 2 pin	C2

**Termination on Charge Amplifier Side**

LEMO FFA.1E.304, 4 pin	A4
LEMO FFG.0B.302, 2 pin	A2
open leads	A3

**Cable Length**

5 m	05
10 m	10
20 m	20
0,5 ... 50 m	sp



1652\_003-195e-01.16