

Lower Neck Load Cell

Type M561A6A...

Six-axial, Adjustable

Type M561A6A... is used in the crash test dummies HIII-50 % (H3), HIII-95 % (HM) and FAA-HIII-50 % to measure forces and moments in the lower neck. The inclination of the neck to the upper part of the body is adjustable in 1,8° steps.

- Six-axial (F_x , F_y , F_z , M_x , M_y , M_z)
- UPS module available
- Low linearity errors and hysteresis
- Adjustable in 1,8° steps
- Kistler system cabling
- Polarities according to SAE J211/1

Description

The load cell is made of elements on which forces are transmitted. The mechanical deformation element, applied with strain gage, serves for mechanical electrical deformation. The forces to be measured create mechanical stretches and buckling in the gaging member. In order to avoid linearity errors, the deformation paths are constructively held small (high rigidity). Thus a proportional behavior is realized.



The force and moment proportional resistance variations are measured by a Wheatstone-type bridge circuit. The load cell is available with UPS module which is integrated in an external housing in the wiring or in the connector. Customized cable lengths and connectors with specific pin assignments are optionally available.

Technical Data

Axial Data		F_x	F_y	F_z	M_x	M_y	M_z
Measuring range	kN	6,67	6,67	8,9			
	N·m				340	340	225
Bridge output voltage (typ.)	mV/V	2,09	2,09	1,22	1,36	1,36	1,53
Sensitivity (typ.)	$\mu\text{V/V/kN}$	314	314	137			
	$\mu\text{V/V/N·m}$				4,0	4,0	6,8
Bridge resistance	Ω	350	350	700	700	700	350
Ultimate load, static	%	150	150	150	150	150	150

General Data

Supply voltage ¹⁾	VDC	2,5 ... 15
Insulation resistance ²⁾	G Ω	>10
Operating temperature range	°C	-20 ... 80
Storage temperature range	°C	-30 ... 90
Amplitude non-linearity (typ.)	%	<1
Hysteresis (typ.)	%	<1
Channel cross talk	%	<5
Bridge zero output (typ. / max.)	mV/V	0,01 / 0,03
Weight, without cable and plug	grams	1 250

All specifications are typical at 25 °C and rated at 10 V sensor supply, unless otherwise specified.

¹⁾ With UPS module 9 ... 12 VDC

²⁾ All wires to load cell housing, measured with 500 VDC

M561A6A_000-938e-10.15

Application

The load cell is directly assembled at the designated location in the dummy and provides important information about the loads on the human body occurring during a crash test.

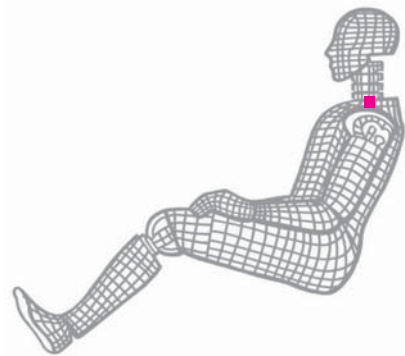


Fig. 1: Dummy application, location lower neck

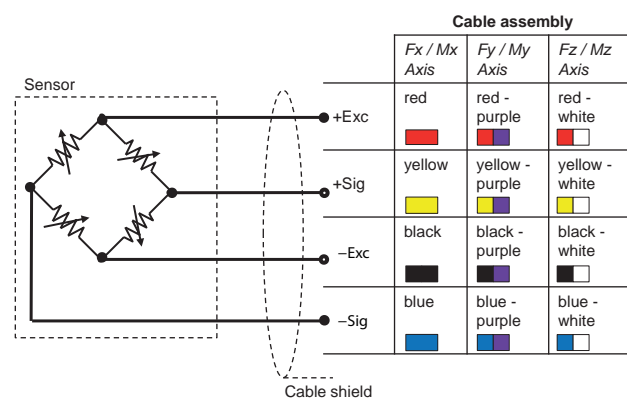


Fig. 2: Cable assembly

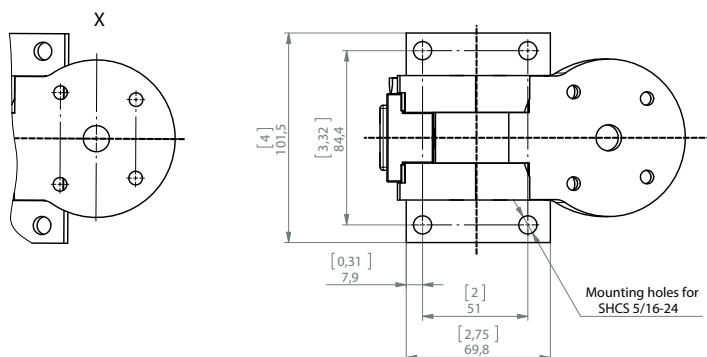


Fig. 3: Dimensions in mm

Included Accessories

- None

Optional Accessories

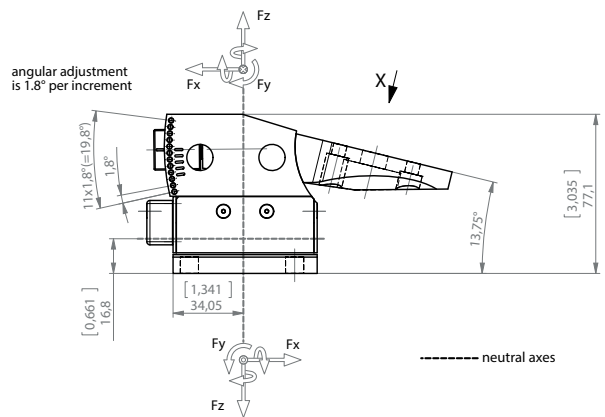
- Add. label with serial number, plug side
- UPS module
- Add. label with ID number at sensor
- Add. shunt

Type No.

M015KABID
on request
M015KABID
on request

Ordering Key

Type M561A6A		
Design	Standard	GM
Cable Length before Electronics	0 cm	00
	<10 cm (digit x 1 cm)	C#
	10 cm ... 9,9 m (digit x 10 cm)	##
	10 m ... 90 m (digit x 10 m)	D#
Additional Electronics	Sensor detail, as per type declaration force-moment TP-650-2	#
Cable Length after Electronics	0 cm	00
	<10 cm (digit x 1 cm)	C#
	10 cm ... 9,9 m (digit x 10 cm)	##
	10 m ... 90 m (digit x 10 m)	D#
Connector	Conn. type, as per TP-600	#-
	Conn. assignment, as per TP-600	-#



M561A6A_000-938e-10.15