

Laptop Car Mounting

Mounting Kit for Standard Laptops

Typ KCD14539

For secure installation of a laptop in the vehicle; to be placed on the co-driver's side.

- Adapts to usual laptop sizes (max. width 370 mm) and fits into almost all vehicles
- Solid lightweight aluminum structure, powder coated
- Easy to mount
- Quick fasteners to adjust conveniently
- Secures laptop and screen

Description

The Laptop Car Mounting includes a base, a stand, a swivelling arm, and a table top that can securely hold all types of laptops that are not exceeding 370 mm width. The adjustable laptop position provides optimal viewing angle.

A retaining element to lock the Laptop on the mounting ensures best possible safety. Rubber dampers absorb damaging shock and vibration helping to prevent them from transferring to your laptop. The laptop's power supply can be stored safely underneath the laptop.

Application

For mobile vehicle testing with Kistler sensors and TurboLab Pro.

Mounting

In the footwell area of the co-driver's side according to the description on the following pages. It is recommended to disarm the airbag on the co-driver's side. No co-driver permitted!



Ordering Code

- Laptop car mounting

Type

KCD14539

Included Accessories

- Display support
- Laptop hold-down devices
- Supporting rod

included
included
included

KCD14539_000-921e-08.12

Mounting Instructions



Before you start with the installation, please make sure that no electric or other sensitive wires are under the carpeting where the base is pressed against tunnel and door sill of the vehicle.

First, adjust the base (1) to the footwell area of your vehicle. For this purpose please loose both of the two allen screws underneath the base rail and the lateral knurled screw. Then, the telescopic rail will emerge from the base rail.

Put the base between tunnel and door sill. Be sure that the reception tube is located at the tunnel and close to the front edge of the co-driver's seat. Pull out the telescopic rail until the bent joint (see fig. 3) is 10 ... 15 cm above the vehicle floor and both of the two form guide rails are 1 ... 3 cm above the floor and pressed against the tunnel and door sill. Slightly tighten the two allen screws underneath the base rail and then press the base towards the floor.



Risk of injury!

Do not clasp the base rail with your fingers when pressing it down but use your flat hand.

When reaching the limit point of the base rail, the insertion movement of the telescopic rail should simultaneously stop. The telescopic rail must definitely not reach its maximum insertion depth before the base has reached its lowest point. Otherwise, the springs that are intended to limit the pressure forces may cease to work. In this case the enormous lever forces that occur when pressing down the base could deform parts of the body platform (tunnel).

In fixed condition, the base rail should be about 2 cm above the vehicle floor. The form guide rail adapts to the bevel of the tunnel.

If you have not got the ideal position with the first adjustment, move the telescopic rail in the telescopic tube forward or backward until you have reached the final position; then tighten the allen screws. You need to do this adjustment only once per vehicle type. Now, tighten the lateral knurled screw. When you want to remove the base you just have to loosen this screw; then you can lift the mount.

Finally, you must tighten the screws of the form guide rail.



Please also note the detail drawings on page 3.

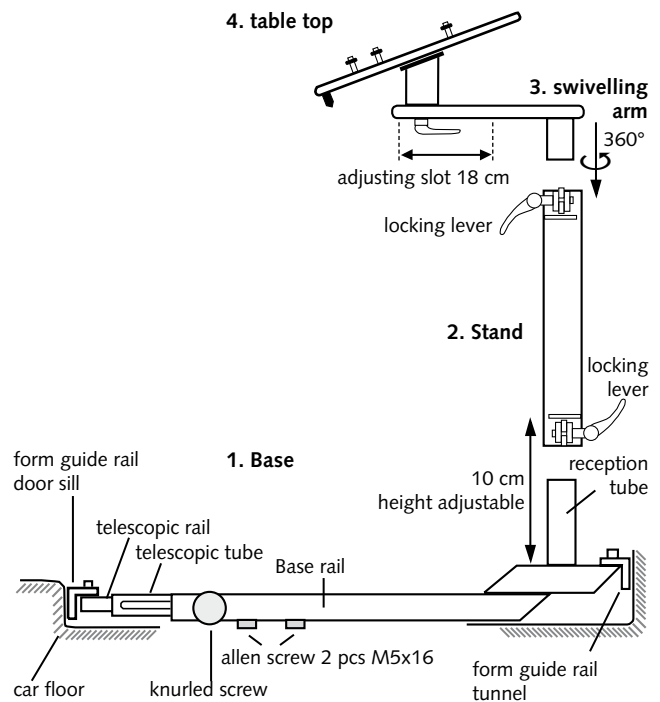


Fig. 1: Laptop car mounting, complete

Now, insert the stand (2) into the reception tube of the base. Height adjustment of about 10 cm is possible. Make sure that the base is mounted firmly by shaking the stand a bit. With application of retained force, base and stand may move elastically but it must not be possible to lever the base out.

Connect the table top (4) with the swivelling arm (3); push and swivel simultaneously. Be aware, you will need a certain effort! Then insert the mounted table top/swivelling arm into the stand, put this over the reception tube and secure it by exerting the locking levers. Now the device is ready to mount the laptop; use the accessories described on page 4.



Fig. 2: Mounted laptop car mounting

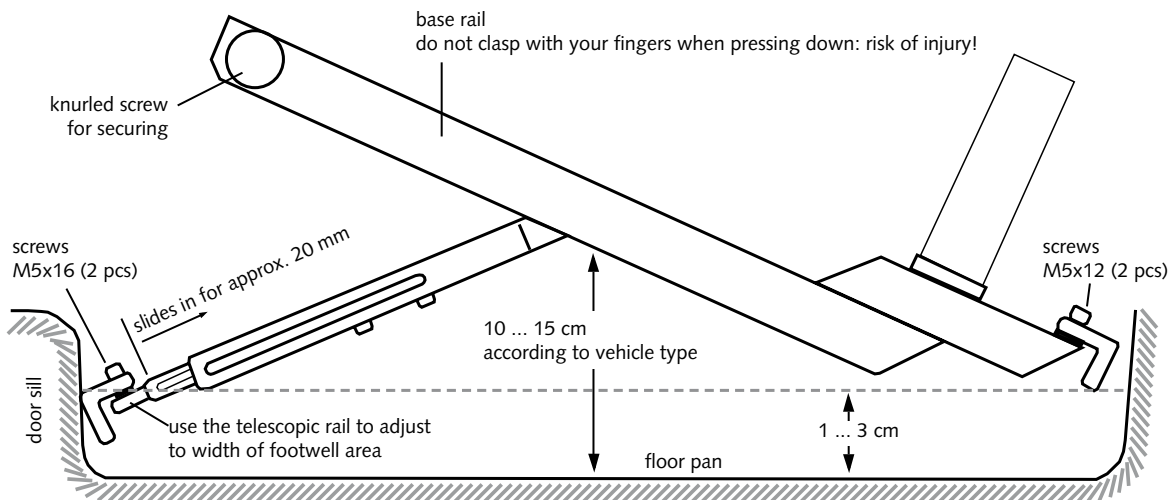


Fig. 3: View of the base before spreading

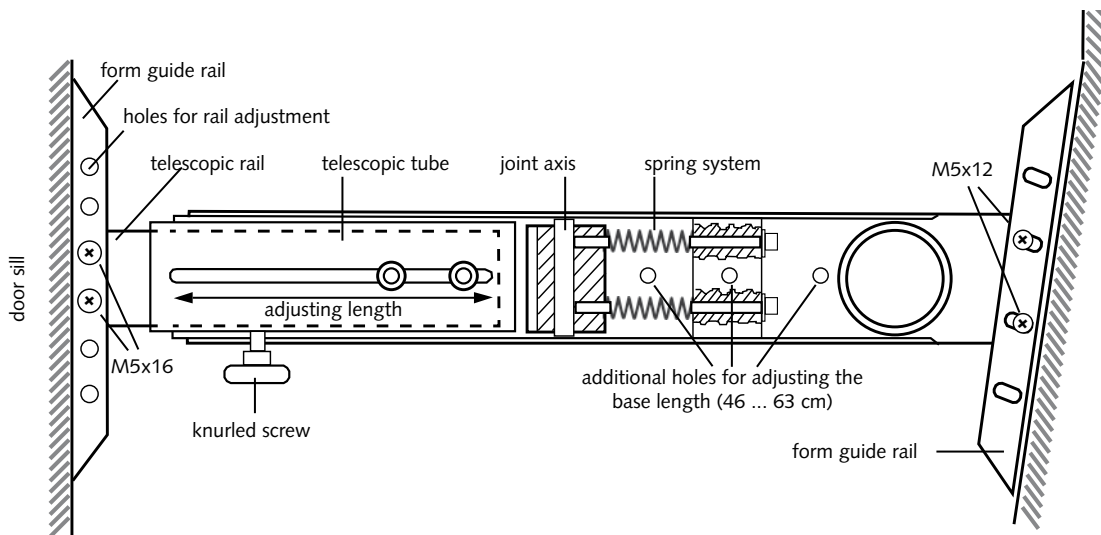


Fig. 4: Top view of the base ("transparent")

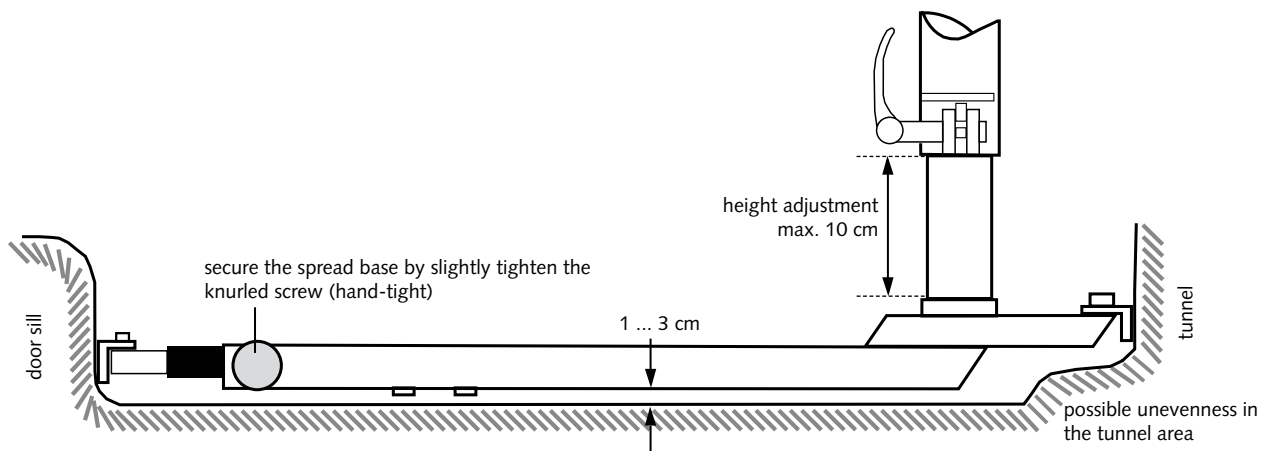


Fig. 5: View of the base when spread

KCD14539_000-921e-08.12

Mounting the Safety Belt

The safety belt secures the laptop car mounting and prevents skidding towards the driver in case of a crash. To enhance the driver's safety, the extent of delivery contains additional display holders and hold-down devices which serve to secure the laptop itself onto the table top.

Fig. 6: Total view of the safety belt system. The belt is looped around the table joint and latched into the safety belt lock at which the length of the belt can be adjusted.

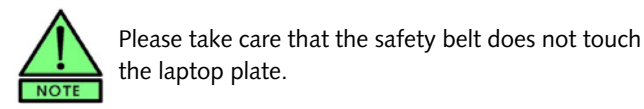


Fig. 7:
Threading the belt into the guiding lug.

Fig. 8:
Safety belt is ready.



Fig. 6: Total view of the safety belt system



Fig. 7



Fig. 8

Laptop Car Mounting Safety Accessories

Included in the extent of delivery.

Display support, fig. 9 + 10

Prevents bouncing display when using laptop with free-moving display hinge or when driving off-road. Additional hold-down devices provide enhanced safety.

Laptop hold-down devices, fig. 11 + 12

In combination with the display support, the hold-down devices give optimum hold to the laptop; may also be applied sidewise. The display can be shut.

Supporting rod, fig. 13 + 14

The supporting rod provides additional stability.



Fig. 9



Fig. 10



Fig. 11



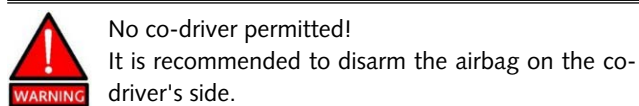
Fig. 12



Fig. 13



Fig. 14



KCD14539_000-921e-08.12

This information corresponds to the current state of knowledge. Kistler reserves the right to make technical changes. Liability for consequential damage resulting from the use of Kistler products is excluded.

©2011 ... 2012, Kistler Group, Eulachstrasse 22, 8408 Winterthur, Switzerland
Tel. +41 52 224 11 11, Fax +41 52 224 14 14, info@kistler.com, www.kistler.com
Kistler is a registered trademark of Kistler Holding AG.