

Measuring Hub RoaDyn S220

Type 9289A103

to measure tire rolling resistance of passenger car tires on tire test machines

The 2 component measuring hub RoaDyn S220 is the ideal instrument to measure rolling resistance on passenger car tire test machines. The measuring hub measures the longitudinal and vertical forces F_x and F_z , acting at the tire contact area respectively tire footprint.

- High precision rolling resistance measurements for passenger car tires by using force method
- Based on the rolling resistance regulations ISO 28580, SAE J1269 and ECE R117
- Strain gage load cell technology for static measurements, combined with high sensitivity in longitudinal (F_x) direction
- Static measurement of vertical force F_z can be used for tire test machine controlling (no additional force sensors necessary)
- Modular design
- High rigidity
- Compatible with analog and digital measuring chains
- Factory calibrated
- Prepared for oil lubrication
- Analog, CAN, EtherCAT and Ethernet output available with the corresponding electronics

Description

RoaDyn measuring hub S220 is a rigid and high precision measuring tool, instrumented with three strain gage load cells which are mounted between a base and top plate. The instrumentation itself is stationary, i.e. top plate, base plate and load cells are mounted non rotating. The tire/rim combination will be mounted to the rotating spindle (shaft). This build up guarantees an optimization of flux respectively application of force. The measurement of rolling resistance basically takes place by using the force method, described in corresponding ISO and SAE regulations. In that case the reaction force is measured as close as possible at the tire contact area/ footprint. The force method increases measuring accuracy and reduces parasitic losses compared with the common approach based on "torque, deceleration or power method"!

Furthermore the force method allows to check two tires simultaneously, which is compared with the other methods a significant increase in efficiency.



Based on the current rolling resistance standards ISO 28580, SAE J1269, ECE R117 for passenger cars up to tire load index 121

| | | | |
|--------------------------|-------|---|------------------------------------------|
| Measuring range | F_x | N | -400 ... 400 |
| | F_z | N | 0 ... 15,000 |
| Instrumentation accuracy | F_x | N | ± 0.5 N or ± 0.5 % ¹⁾ |
| | F_z | N | ± 10 N or ± 0.5 % ¹⁾ |

¹⁾ Whichever value is greater

Technical data

| | | | |
|-------------------|-----------|----|-----------------|
| Max. load | F_x | N | $\pm 1,500$ |
| | F_y | N | ± 500 |
| | F_z | N | 0 ... 20,000 |
| Calibrated range | F_x | N | 0 ... 400 |
| | F_z | N | 0 ... 15,000 |
| Natural frequency | F_n (x) | Hz | ≈ 650 |
| | F_n (y) | Hz | $\approx 2,200$ |
| | F_n (z) | Hz | $\approx 1,750$ |

9289A_000-761e-07.21

This information corresponds to the current state of knowledge. Kistler reserves the right to make technical changes. Liability for consequential damage resulting from the use of Kistler products is excluded.

Technical data (continuation)

| | | | |
|---------------------------------|---|-------------------|----------|
| Rotational speed | n | min ⁻¹ | ≤3,000 |
| Operating temperature range | | °C | 5 ... 80 |
| Degree of protection (DIN40050) | | | IP65 |
| Size | | | |
| Diameter | | mm | 312 |
| Length | | mm | 349.5 |
| Weight | | kg | 55 |

Requirements for oil lubrication

| | | | |
|-----------------------------|---|--------------------|---------------|
| Pump type | | | non-pulsating |
| Oil type | | ISO VG | 68 |
| Kinematic viscosity (@40 °) | v | mm ² /s | 65 ... 75 |
| Supply pipe | | number | 3 |
| | | di/da | mm 8/10 |
| Oil pressure supply pipe | p | bar | ≤0.5 |
| Rate of flow | V | l/min | 1 ... 2 |
| Return pipe | | number | 2 |
| | | di/da | mm 8/10 |
| Oil pressure return pipe | | bar | pressureless |

Dimensions

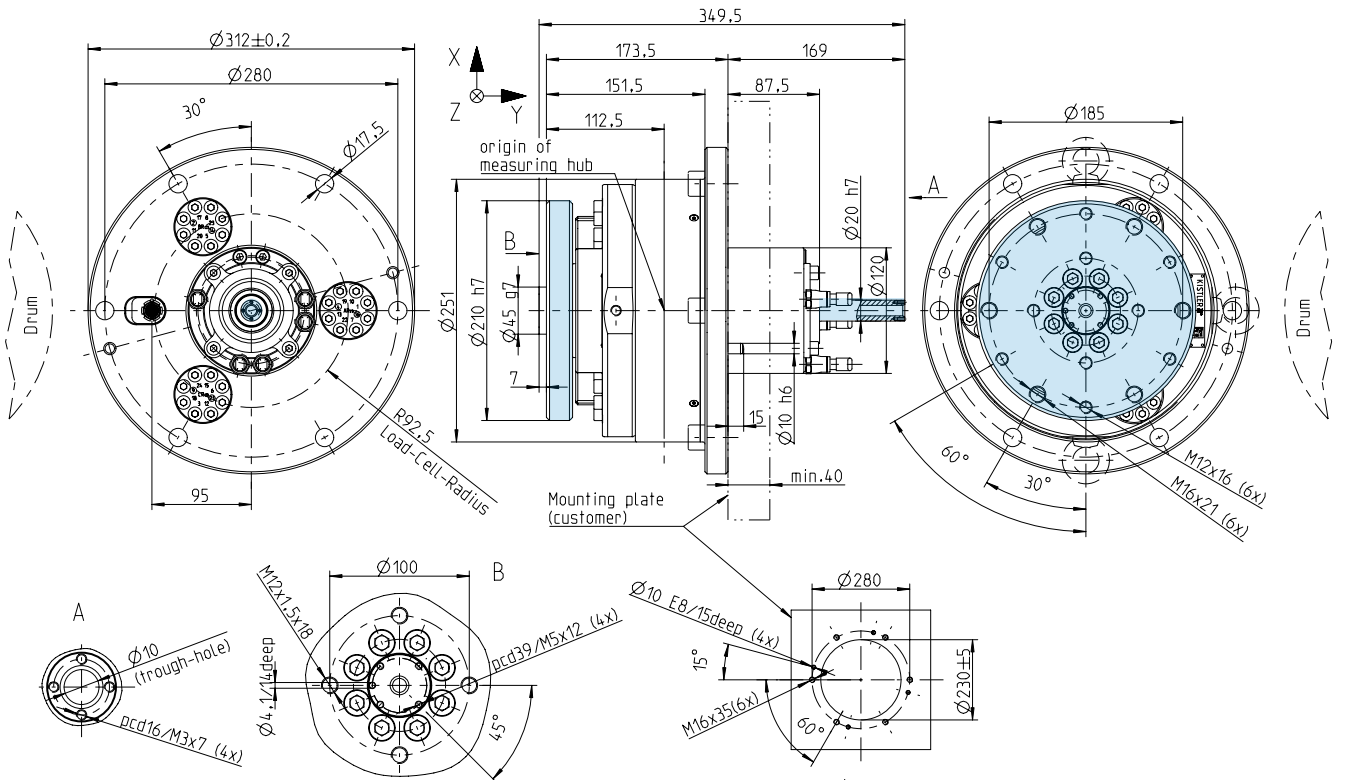


Fig. 1: Assembly drawing RoadDyn S220; rotating parts are highlighted in blue

Mounting position

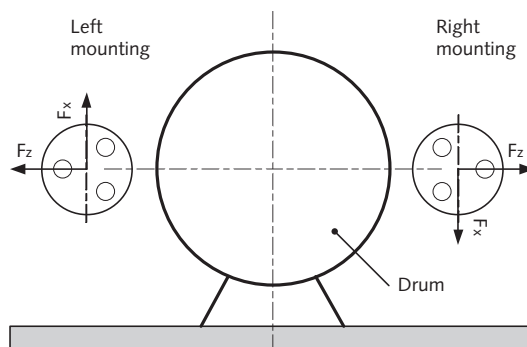


Fig. 2: Scheme of load cell positioning at the tire test machine

Measuring chain

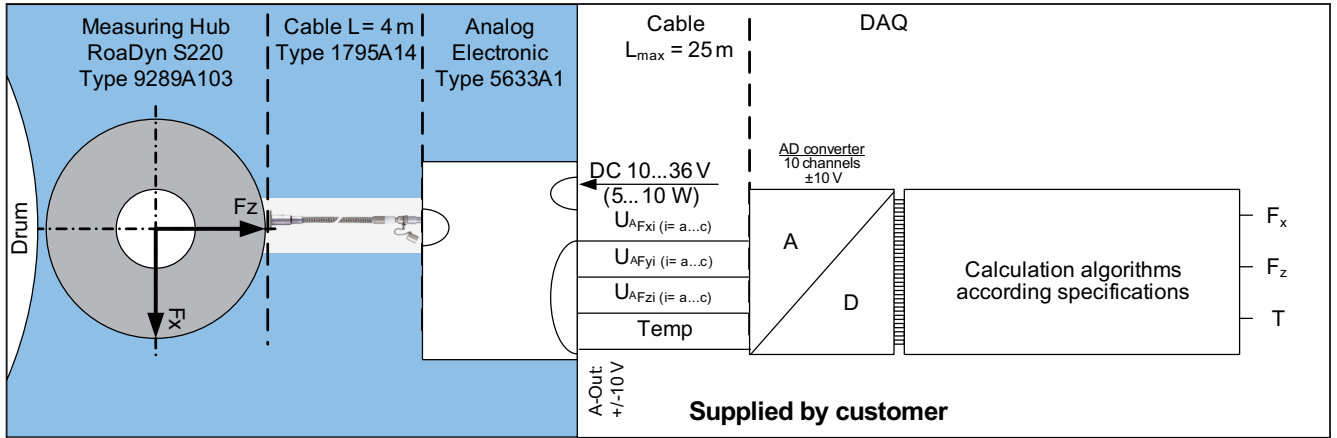


Fig. 3: Analog measuring chain RoaDyn S220

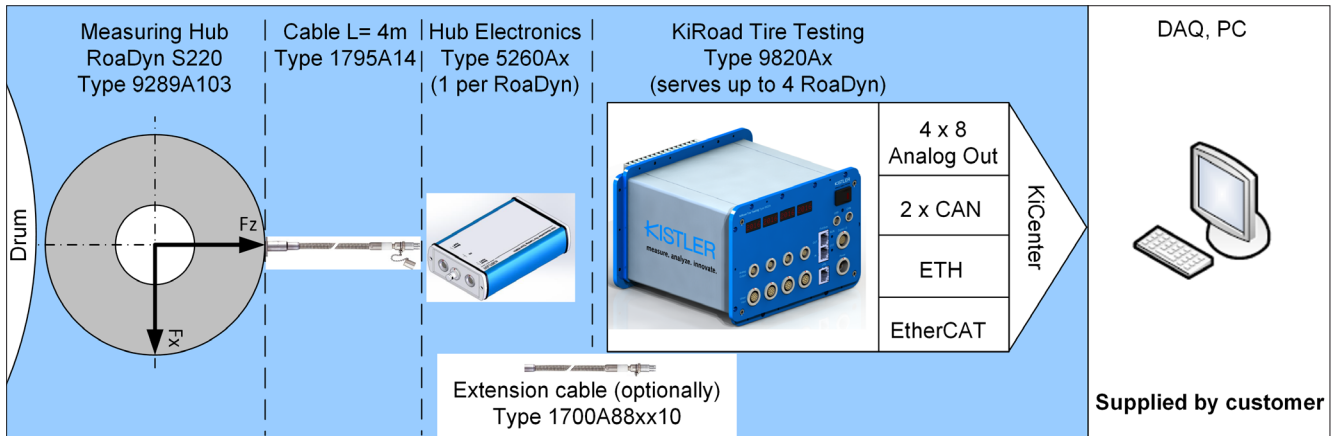


Fig. 4: Digital measuring chain RoaDyn S220

9289A_000-761e-07.21

Included Accessories

- Mounting material

Optional accessories

- | | Type/Art. No. |
|------------------------------------------------------------------|---------------|
| • Connecting cable low impedance, l = 4 m, straight connector | 1795A14 |
| • Connecting cable low impedance, l = 4 m, angle connector | 1795A24 |
| • Analog electronics box, 24 channels | 5633A1 |
| • Digital electronics KiRoad Tire Testing | 9820A... |

Calibration equipment

- Set of deadweights (6 pieces, 10 kg each) 9907A1

Supplied by customer

- Hydraulic oil pump lubrication system (non-pulsating)
- DAQ

Ordering code

- RoaDyn S220 measuring hub
to measure tire rolling resistance of
passenger cars on tire test machines

Type

9289A103

Other Kistler products in this application

- | | |
|-----------------------------------------------------------------------------------------------------------------------------------------|----------|
| • RoaDyn S260 measuring hub to measure tire rolling resistance of commercial vehicles tires on tire test machines | 9289A113 |
| • RoaDyn P530 measuring hub to measure tire characteristics on tire test machines (passenger car) | 9295B... |
| • RoaDyn S5ST (60 kN) measuring hub for durability and tire characteristics measurement on tire test machines (truck and bus) | 9289A253 |
| • RoaDyn S5MT (100 kN) measuring hub for durability and tire characteristics measurement on tire test machines (truck and bus) | 9289A263 |
| • RoaDyn S530 measuring hub for endurance measurement of passenger car tires on tire test stands | 9289A013 |