

KiDAQ Module 5506A

Measurement module for voltage (till 60 V) and status



Description

KiDAQ is a general purpose data acquisition system to measure more than 20 different analog and digital signal types. The wide selection of signal conditioning and data acquisition modules enables perfectly fitted system configurations, exactly to the customer's requirements. All modules are available in the KiDAQ housing options Rack, Portable and DIN Rail which allows the use in different applications and environments.

Key features

- **8 analog input signals**
Voltage till 60 V
- **2 digital input signals**
Status
- **A/D conversion**
20 kSps sampling rate per channel, 24 Bit resolution
- **Galvanic isolation**
Channel to channel to power supply and to interface isolation voltage 500 VDC



Technical data

Analog inputs

Number	8		
Input connector type	Terminal strip, 2x10 pole, color blue		
Accuracy	0.01% typical		
	0.025% in controlled environment ¹		
	0.05% in industrial area ²		
Linearity error	0.01% of the final value typical		
Repeatability	0.003% typical (within 24 h)		
Isolation voltage	500 VDC channel to channel to power supply to interface ³		
Measurement voltage	Range [V]	Max. deviation [mV]	Resolution [µV]
	±60	±25	50
Input resistance	>1 MΩ		
Long term drift	<500 µV / 24 h; <2 000 µV / 8 000 h		
Temperature influence	on zero		on sensitivity
	<500 µV / 10 K		<0.02 % / 10 K

¹ according EN 61326: 2006, appendix B

² according EN 61326: 2006, appendix A

³ noise pulses up to 1 000 VDC, permanent up to 250 VDC

Analog/digital-conversion

Resolution	24 bit
Sample rate	20 kSps per channel
Conversion method	Sigma-Delta (group delay time 600 µs)
Anti-aliasing filter	2 kHz, 3 rd order
Digital filter	IIR, low pass, high pass, band pass, 4 th order, 1 Hz up to 1 kHz in steps 1, 2, 5
Averaging	configurable or automated according the selected data rate

Digital in/outputs

Number	4, 2 digital inputs, 2 digital outputs
Input	state, tare, reset
Input voltage	max. 30 VDC
Input current	max. 0.5 mA
Upper threshold	>10 V (high)
Lower threshold	<2.0 V (low)
Output	state, alarm
Contact	open drain p-channel MOSFET
Load	30 VDC/100 mA (ohmic load)

KiDAQ Module 5506A_003-368e-08.19

The information corresponds to the current state of knowledge. Kistler reserves the right to make technical changes without advance notice. Liability for consequential damages arising from the application of Kistler products is excluded.

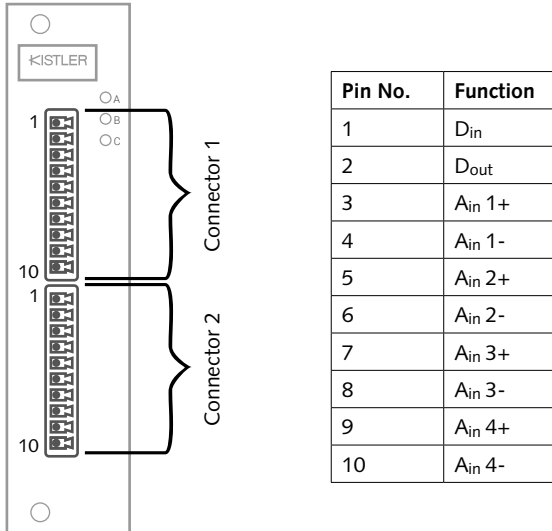
© 2018 ... 2019 Kistler Group, Eulachstrasse 22, 8408 Winterthur, Switzerland
Tel. +41 52 224 11 11, info@kistler.com, www.kistler.com. Kistler Group products are protected by various intellectual property rights. For more details visit www.kistler.com

Further technical data please refer to data sheet “KiDAQ System Datasheet” 003-335e.

Warm up time

All declarations are valid after a warm up time of 45 minutes.

Pin assignment



Measurement	Pin assignment
Voltage	

Digital I/O	Pin assignment
Digital input	
Digital output	

KiDAQ Module 5506A_003-368e-08.19

Block diagram

