

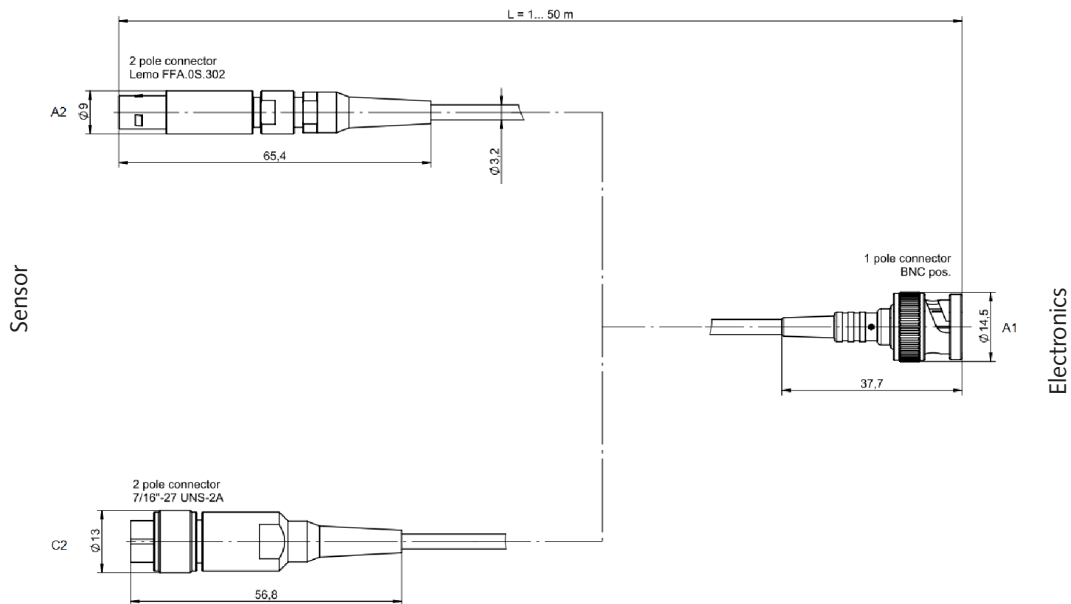
Connecting cable

Type 1654A...

Differential to single ended, high insulating, low-noise

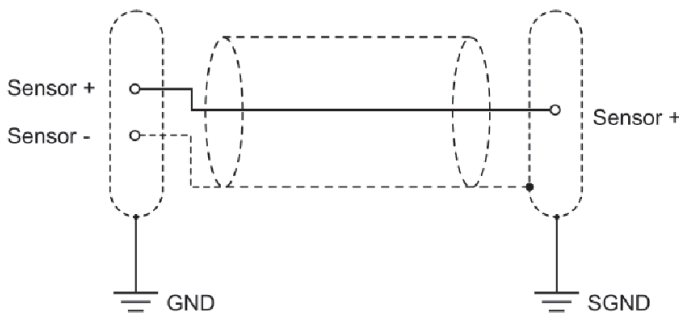


Available Configurations



Electrical

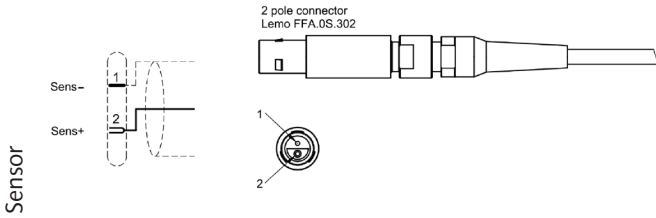
Differential to single ended



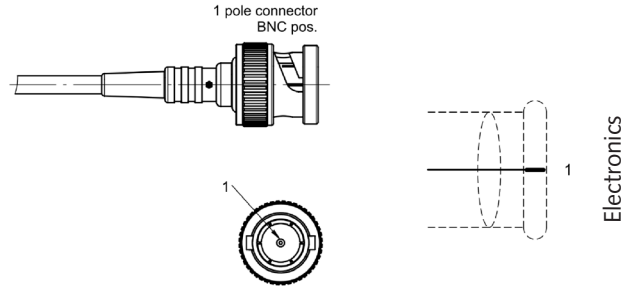
1654A_003-289e-04.17

Electrical connection

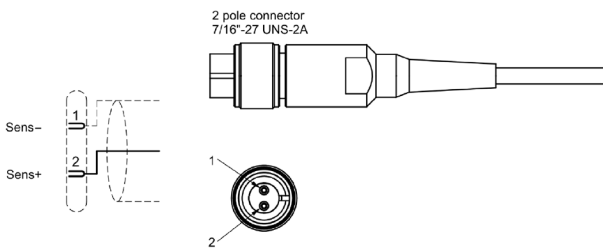
Operating temperature range –25 ... 85 °C
IP50



Operating temperature range –25 ... 85 °C

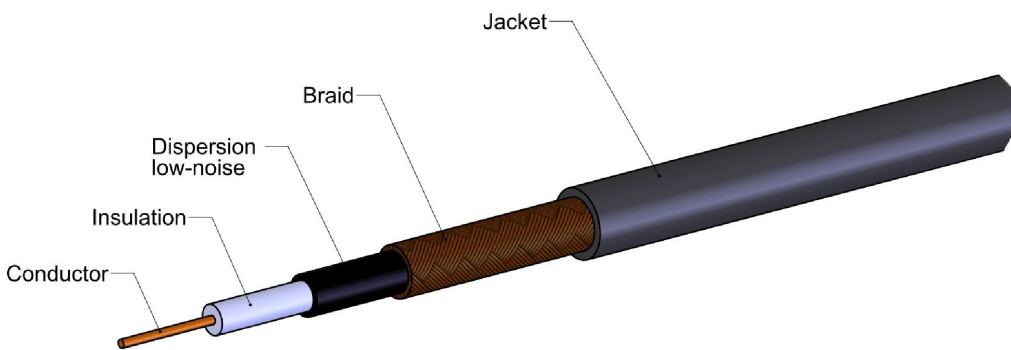


Operating temperature range –25 ... 85 °C
IP50



Cable composition

Type 1654A...B...



1654A_003-289e-04.17

Technical data

Environmental

| | | |
|-----------------------------|----|------------|
| Operating temperature range | °C | -25 ... 85 |
|-----------------------------|----|------------|

Physical

| | | |
|--------------------|--|---------------------|
| Cable construction | | low noise, screened |
|--------------------|--|---------------------|

| | | |
|----------|------|-----|
| Capacity | pF/m | 100 |
|----------|------|-----|

| | | |
|-----------------------|----|----|
| Bending radius (min.) | | |
| fixed installation | mm | 20 |

| | | |
|--------------------|----|----|
| loose installation | mm | 65 |
|--------------------|----|----|

Ordering key

Type 1654A B

Termination on sensor side

| | |
|------------------------|----|
| LEMO FFA.02.302, 2 pin | A2 |
| 7/16"-27 UNS-2A, 2 pin | C2 |

Termination on charge amplifier side

| | |
|----------|----|
| BNC pos. | A1 |
|----------|----|

Cable length

| | |
|--------------|----|
| 1 m | 01 |
| 2 m | 02 |
| 5 m | 05 |
| 0,5 ... 50 m | sp |

