

# Walkway Element for Force Plate Type 9260AA...

Type 9418A...

Modular walkway elements for use with portable force plates on flat surfaces.

- No structural changes needed
- Easy installation
- Antislip finish
- Versatile

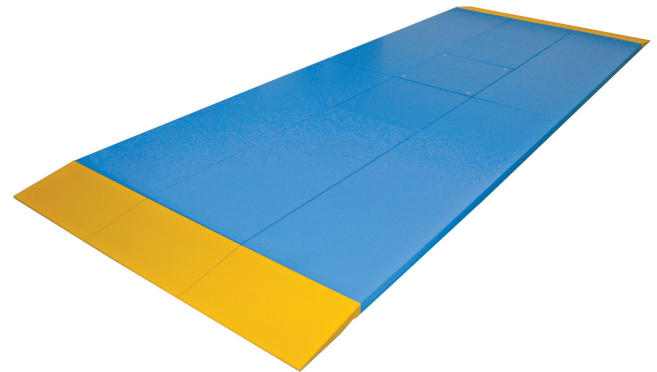
### Description

The walkway elements Type 9418A... together with the portable force plates Type 9260AA... allow modular installation of any flat walkway. Walkways and dummies are available in different sizes for the purpose.

For visual and safety reasons it is important to have the same antislip finish on the force plates and the surrounding area. The walkway elements meet this requirement. Yellow ramps at the junction between floor and walkway offer additional safety.

The elements can be leveled with screw feet to compensate for any unevenness of the floor.

They are readily linked to each other with connectors to prevent slipping. To prevent any force shunts developing, a 3 mm gap remains between the force plates and walkway elements.



### Application

The walkway is designed specifically for use at measuring stations at which no structural changes are desired or possible. Force plates and walkway elements are fully interchangeable and can be mounted in different positions along the walkway.

Each force plate Type 9260AA6 and dummy plate Type 9418A6 (600x500 mm) can be replaced with two force plates Type 9260AA3 or two dummy plates Type 9418A3 (298,5x500 mm). This allows custom configuration and variable use of the force plates.

A measuring station can be optimized for different requirements, such as step length or walking base.

The force plates can be lifted out at any time and used in other applications.

As no structural changes are needed to install the walkway, the measuring station can be displaced occasionally.

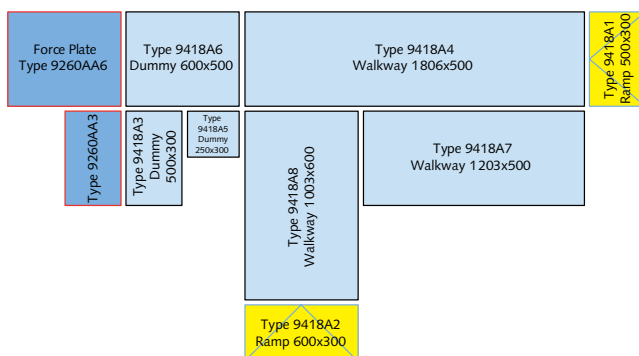


Fig. 1: Walkway elements

9418A\_000-989e-02.12

**Technical Data**

Ramp small	Type	9418A1
Dimensions	mm	500x300x50
Weight	kg	2,7

Ramp large	Type	9418A2
Dimensions	mm	600x300x50
Weight	kg	3,1

Dummy	Type	9418A3
for force plate Type 9260AA3		
Dimensions	mm	298,5x500x50
Weight	kg	5

Walkway	Type	9418A4
corresponds to 3 x Type 9260AA6 longitudinally		
Dimensions	mm	1 806x500x50
Weight	kg	12

Dummy	Type	9418A5
Dimensions	mm	248,5x298,5x50
Weight	kg	3

Dummy	Type	9418A6
for force plate Type 9260AA6		
Dimensions	mm	600x500x50
Weight	kg	7

Walkway	Type	9418A7
corresponds to 2 x Type 9260AA6 longitudinally		
Dimensions	mm	1 203x500x50
Weight	kg	9,4

Walkway	Type	9418A8
corresponds to 2 x Type 9260AA6 transversely		
Dimensions	mm	1 003x600x50
Weight	kg	9,4

9418A\_000-989e-02.12

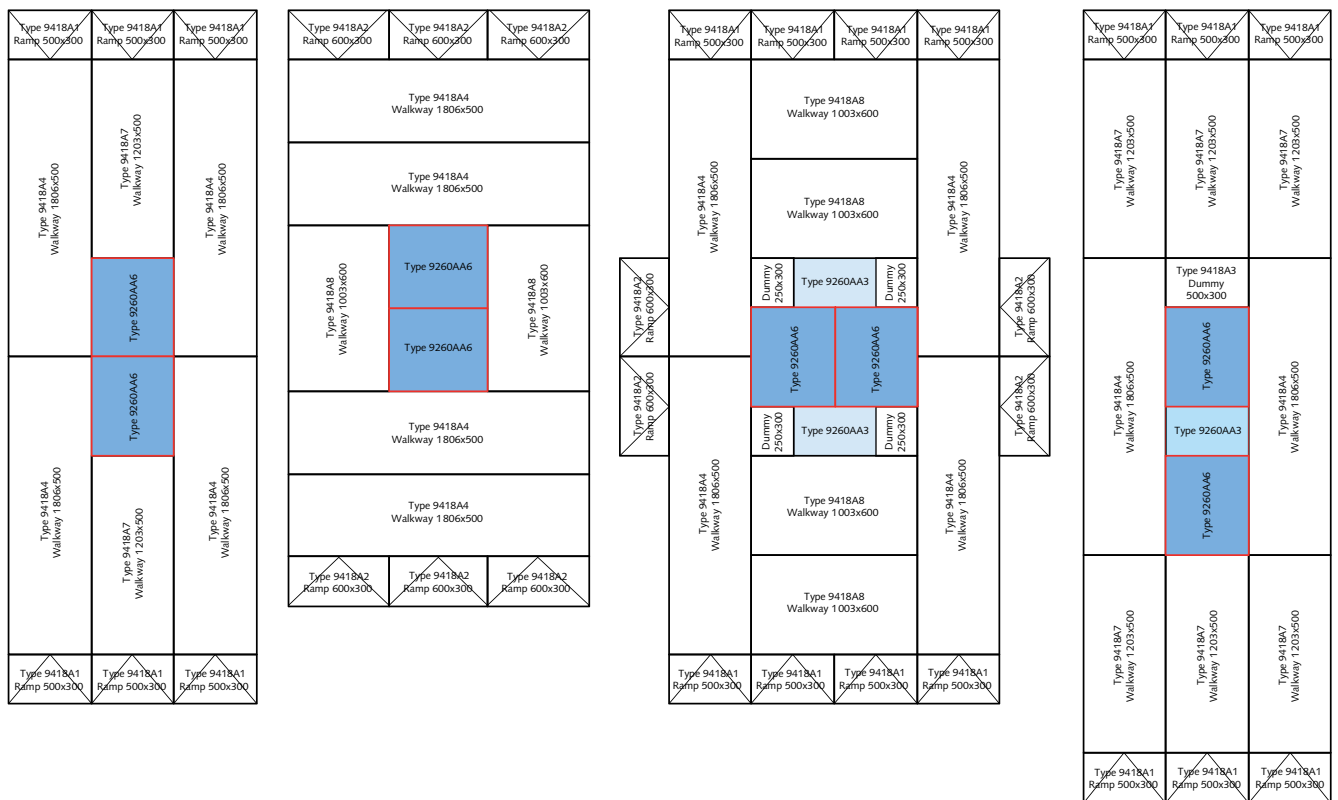


Fig. 2: Mounting examples with walkway Type 9418A...

### Included Accessories

- Links
- Double links
- Screw feet
- Protective caps

### Optional Accessories

- Force plate

**Type/Art. No.**  
9260AA...

### Ordering Key

Type 9418A

#### Walkway Elements

Ramp small Dimensions 500x300x50 mm	1
Ramp large Dimensions 600x300x50 mm	2
Dummy Dimensions 298,5x500x50 mm	3
Walkway Dimensions 1 806x500x50 mm	4
Dummy Dimensions 248,5x298,5x50 mm	5
Dummy Dimensions 600x500x50 mm	6
Walkway Dimensions 1 203x500x50 mm	7
Walkway Dimensions 1 003x600x50 mm	8