

Portable Walkway for Force Plate Type 9286B...

Type 9401C...

Easy to install walkway for installation on any flat surface.

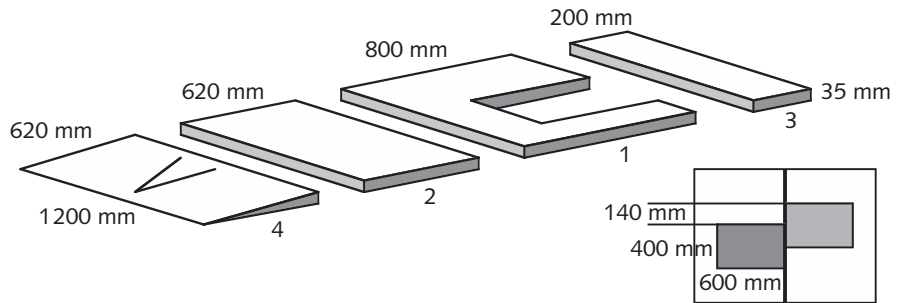
- Easy installation
- Lightweight construction
- Non-skid floor covering
- Versatile use

Description

The walkway Type 9401C... is designed to make the mobile force plate Type 9286B... even more flexible and easy to use. The lightweight wood construction can be placed on a flat, hard floor without any mounting. The force plates become accessible without modifications of the floor or the building.

For safety and psychological reasons it is essential to have the same safe, nonskid floor covering on the force plate as well as on the surrounding area. The walkway fulfills this demand.

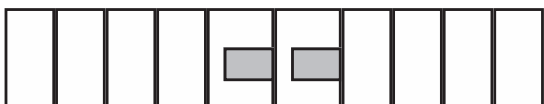
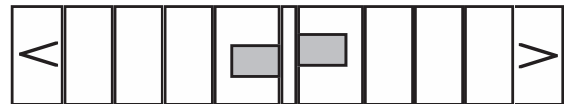
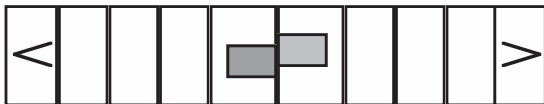
The walkway consists of a modular system of 4 parts which may be combined in a variety of setups to achieve different force plate positions and walkway length.



Technical Data

1 Central piece, incl. pieces of floor covering	Type	9401C01
Dimensions	mm	800x1 200x35
Weight	kg	8
2 Extension	Type	9401C02
Dimensions	mm	620x1 200x35
Weight	kg	8
3 Intermediary	Type	9401C03
Dimensions	mm	200x1 200x35
Weight	kg	5
4 Ramp	Type	9401C04
Dimensions	mm	630x1 200x35
Weight	kg	9

Examples



9401C_000-774e-02.10

Included Accessories

- None

Optional Accessories

- Force plate
- Connection cable

Type/Art. No.

9286B...
1758A...

Ordering Key

Portable Walkway for Force Plate

Type 9286B...

Central piece incl. piece of floor covering, 600x400 mm	01
Extension	02
Intermediary	03
Ramp	04

Type 9401C

